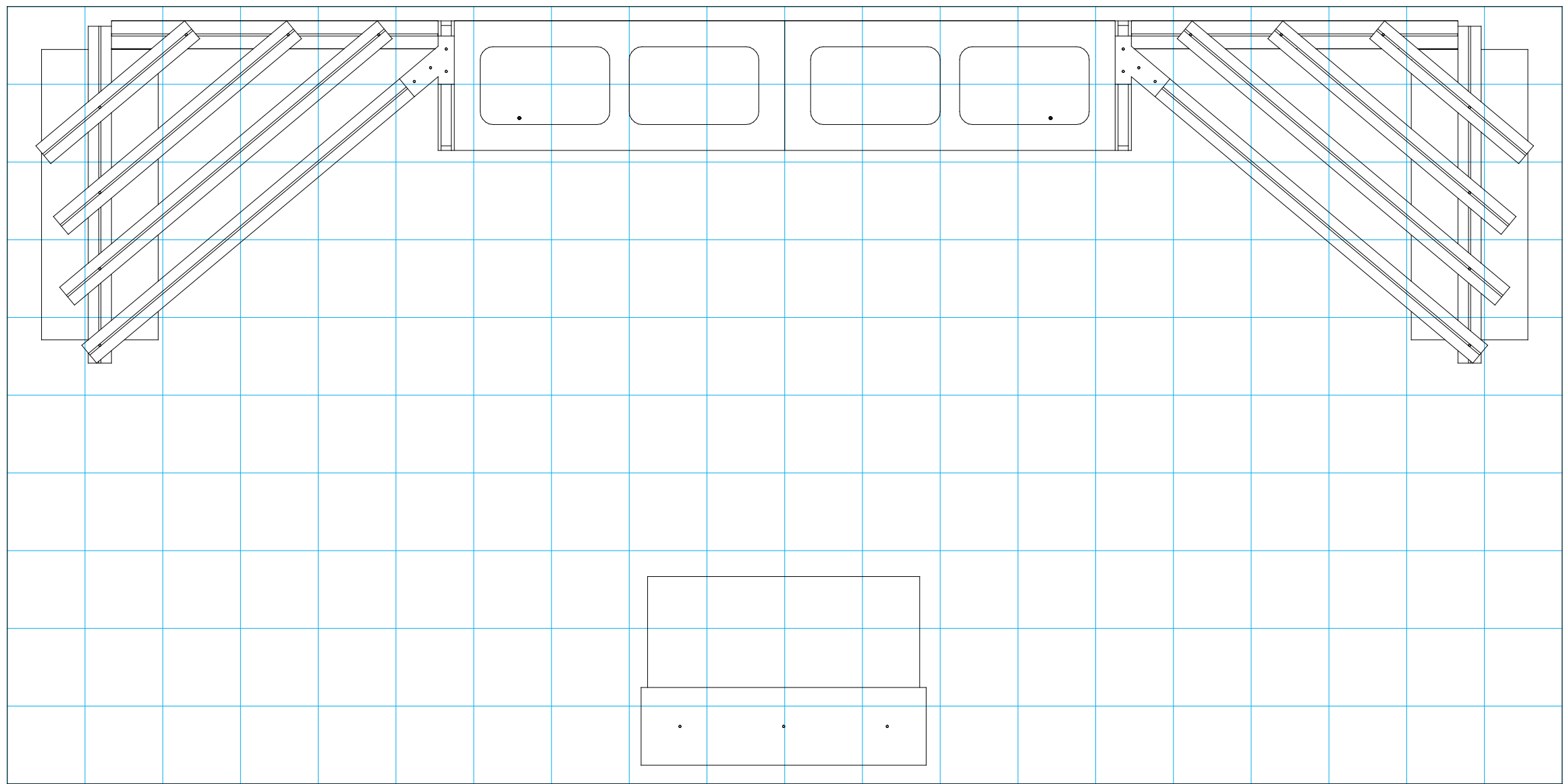



SETUP INSTRUCTIONS



 = 1 sq foot

General Setup Instructions

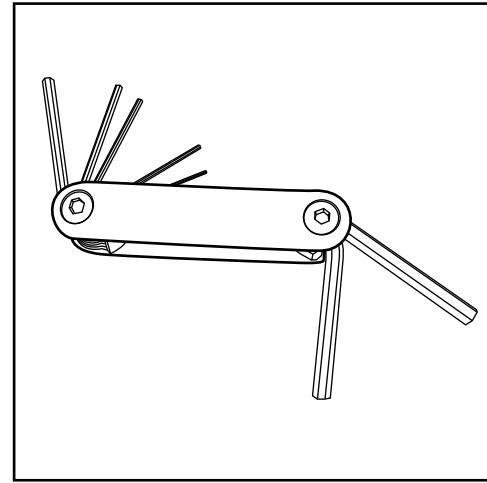
- Read entire setup instruction manual prior to unpacking parts and pieces.
- The setup instructions are created specifically for this configuration.
- Setup instructions are laid out sequentially in steps, including exploded views with detailed explanation for assembly.

Cleaning & Packing

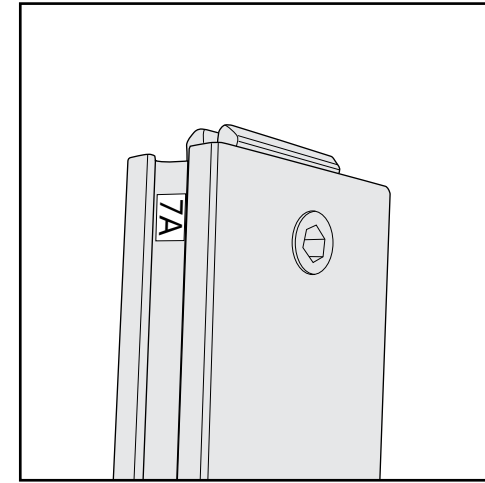
- For Cleaning Metal, Plex, & Laminate Parts: Use a **MILD NON-ABRASIVE** cleanser and soft cloth/paper towel to clean all surfaces.
- Keep exhibit components away from heat and prolonged sun exposure.
Heat and UV exposure will warp and fade components.
- Retain all provided Packing Materials. All provided packing materials are for ease of repacking & component protection.

Disassembly

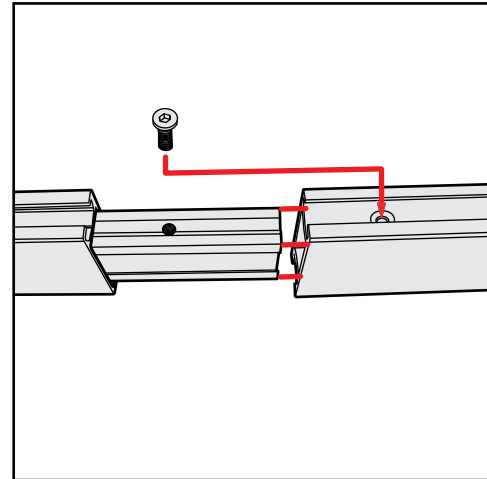
- For loss prevention, tighten all set screws and locks during disassembly.



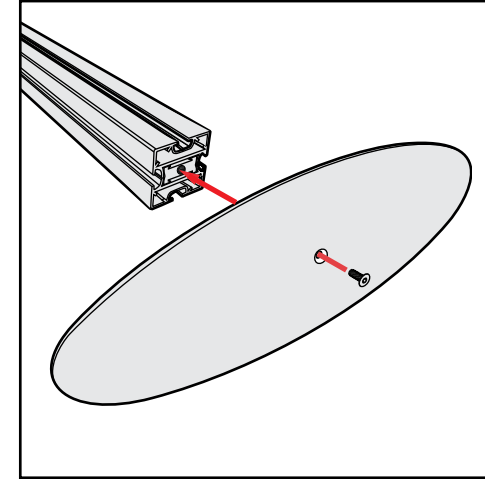
Hex Tool - Essential for Assembly



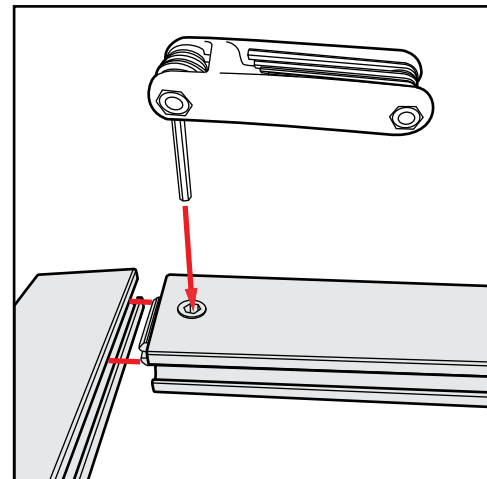
Part Identification - Numbering



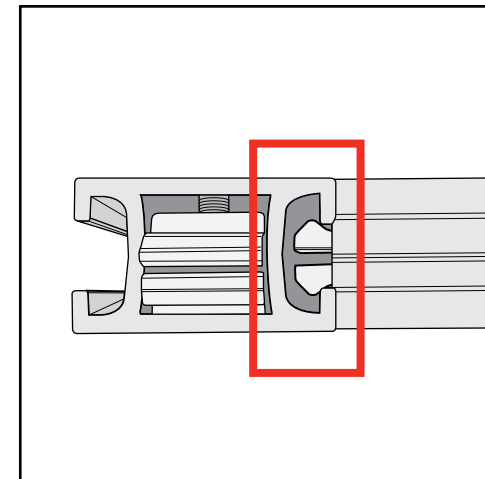
Spline Connection



Base Plate & Extrusion Connection



Extrusion & Lock Connection



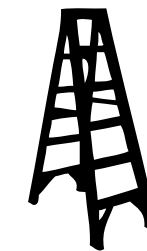
Engaged Lock



WARNING



DO NOT USE POWER TOOLS



LADDERS OR LIFTS
MAY BE REQUIRED

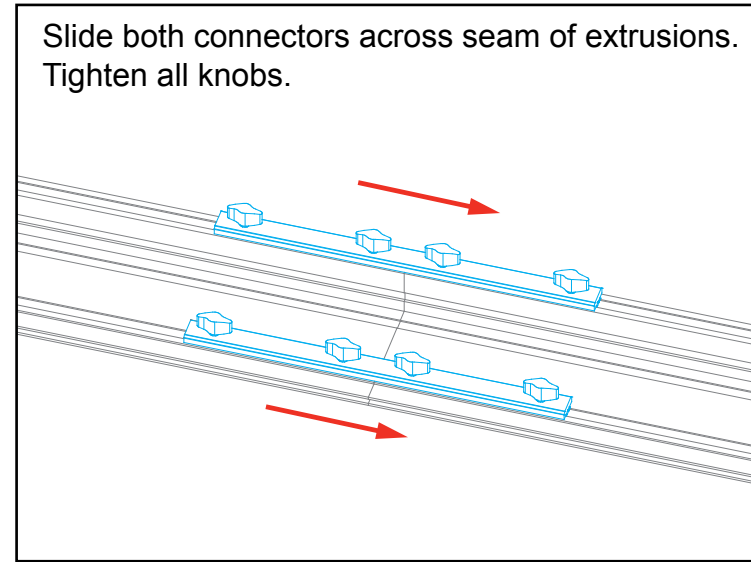
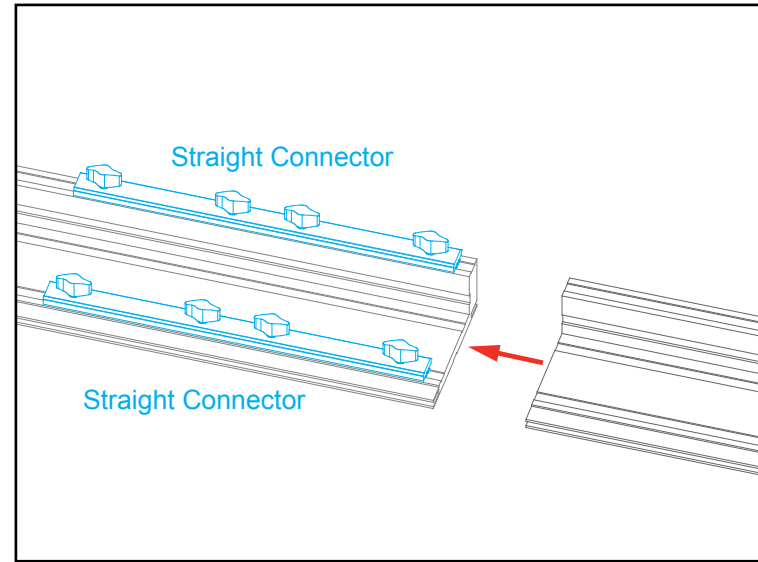


ALL CONNECTIONS MUST
BE TIGHTLY SECURED

Straight Connection

When assembling frame, first attach all **straight connectors**, then attach **corner connectors**.

- 1) Place extrusions end-to-end.
- 2) Loosen all knobs, then slide **straight connectors** across the seam of extrusions.
- 3) Tighten all knobs to secure connection.



All knobs must be tightened securely to ensure a proper connection.

Disassembly

- 1) Loosen all knobs.
- 2) Slide connectors off of one extrusion.
- 3) Tighten knobs to prevent loss during packing & shipping.

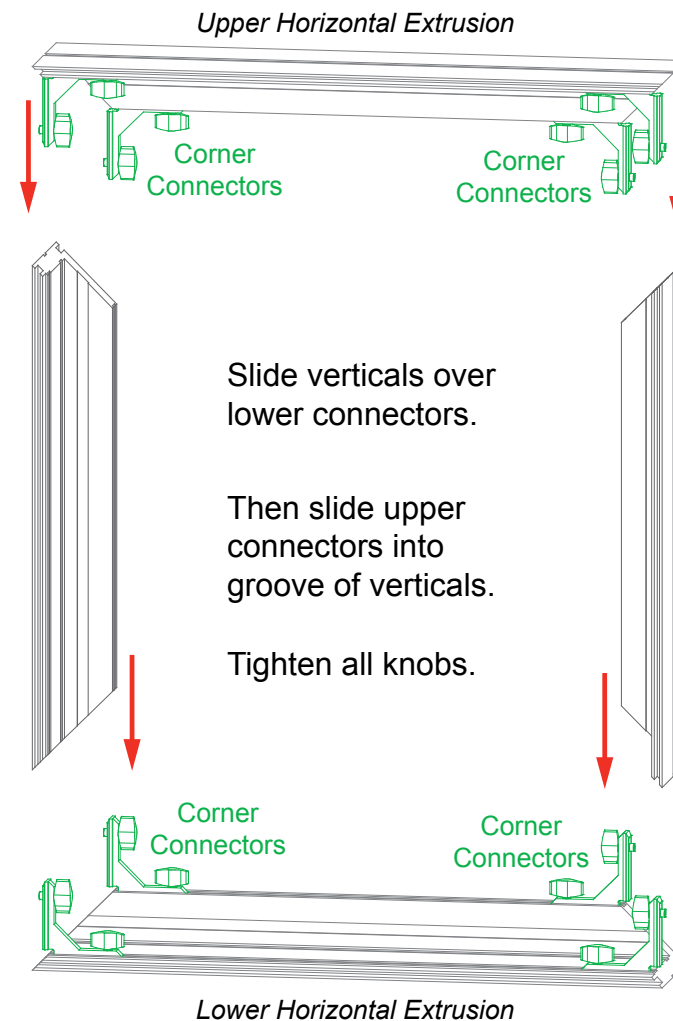
Keep straight connectors in groove of extrusion. Do not remove connectors during disassembly.

Corner Connection

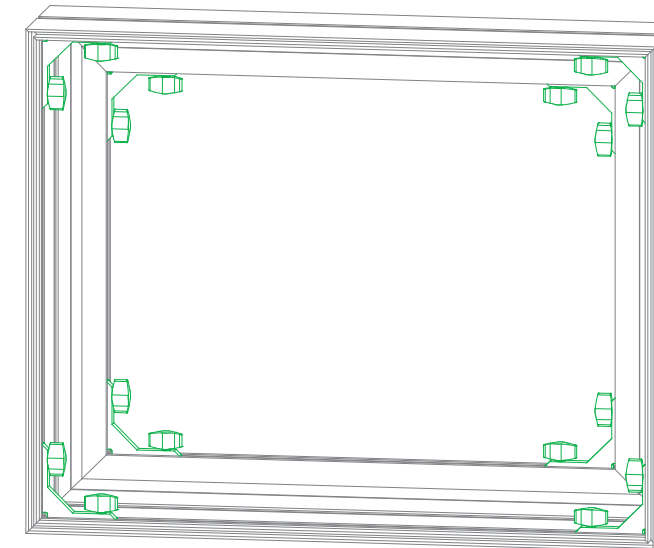
- 1) Loosen knobs, then slide vertical extrusions onto **corner connectors** of **lower** horizontal extrusion.
- 2) Slide **corner connectors** of **upper** horizontal extrusion into grooves of vertical extrusions.
- 3) Tighten all knobs to secure connection.

Disassembly

- 1) Loosen knobs on vertical extrusions.
- 2) Slide the vertical extrusions off of **corner connectors** on lower and upper horizontal extrusions.

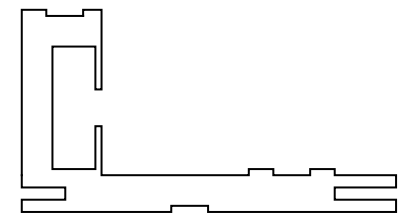


Adjust connectors if necessary to prevent gaps in connection.



COMPLETED ASSEMBLY

All knobs must be tightened securely to ensure a proper connection.

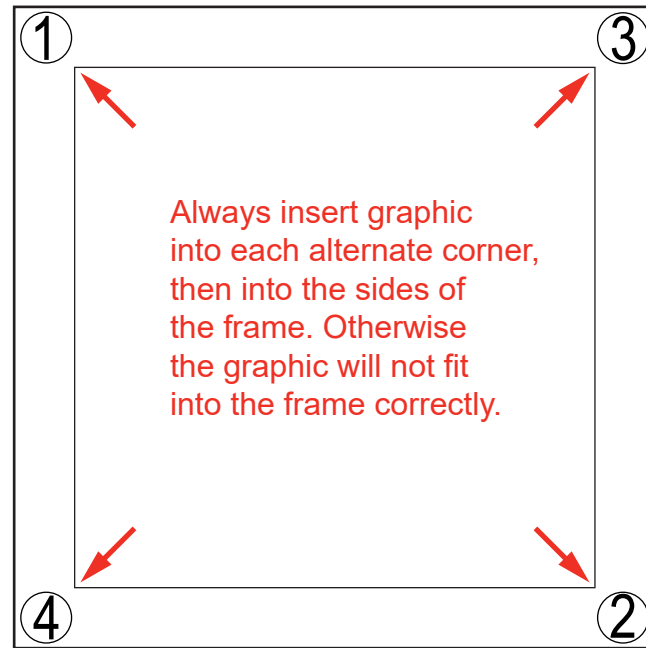


CEI110 Profile

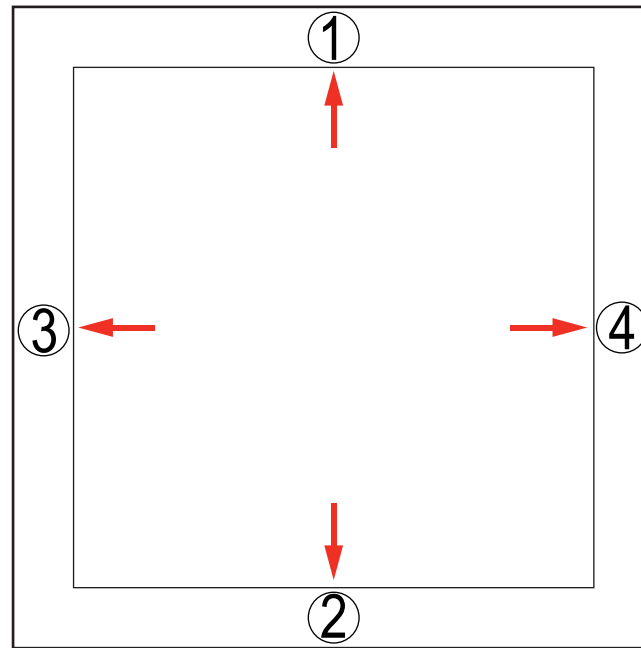
The Perfect Fit

SEG Graphic Installation *in 3 Steps*

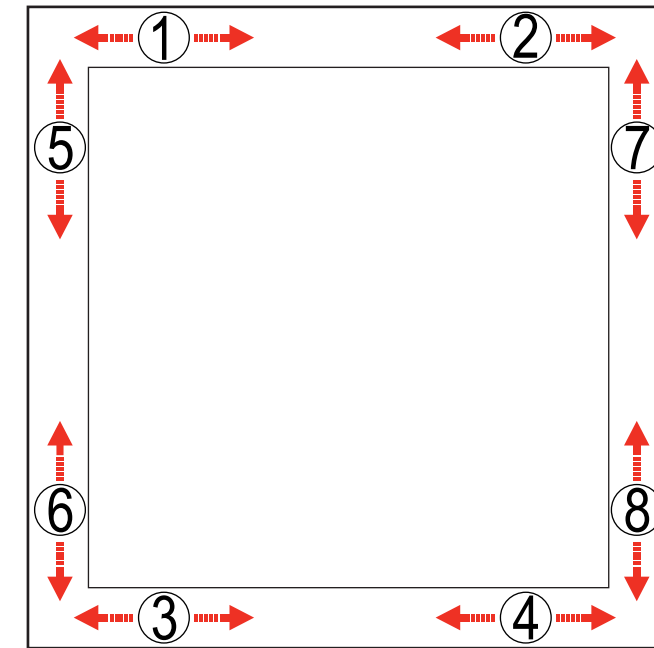
STEP 1: Attach Corners



STEP 2: Attach Middle



STEP 3: Attach Sides



Insert narrow side of silicone welt into the channel at corner 1, with fabric to the outside.

Repeat for opposite corner 2, then corner 3, then corner 4.

Once corners are attached, press the middle of edge 1 into the channel. Then press middle of edge 2 into the channel on opposite side.

Repeat with edge 3 & 4.

Once the middle of sides are attached, fully press the silicone welt into the channel, between center and corner at location 1. Repeat the process between center and corner at location 2.

Do the same for welt on opposite side, at locations 3 & 4. Then repeat for locations 5 & 6 and 7 & 8.

Once the welt is fully inserted on all sides, smooth out edges as needed for a perfect fit.



To remove the graphic from the frame, locate the fabric **pull tab**. Gently pull on the tab to remove the graphic.

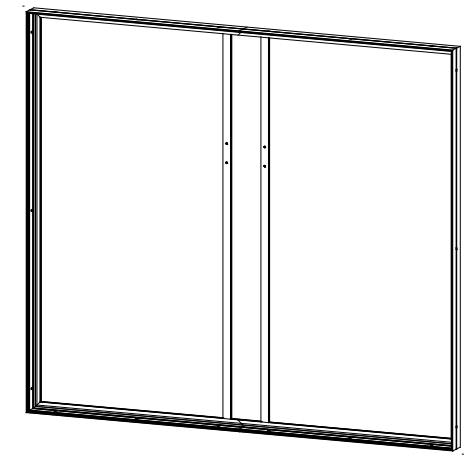
Install video:



CRATE PACKING

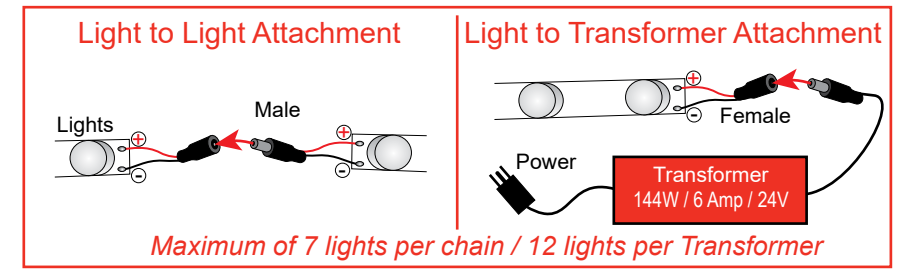
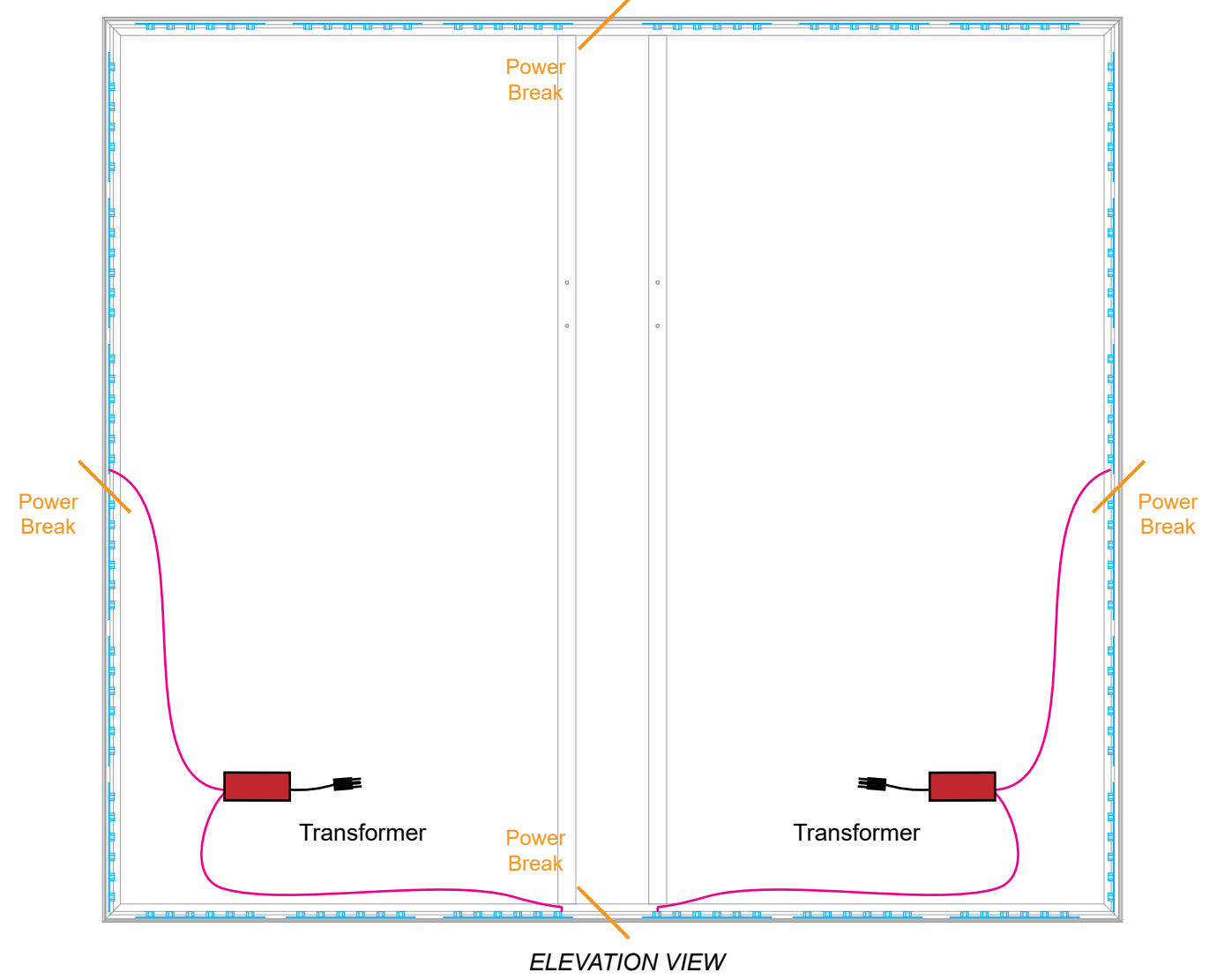
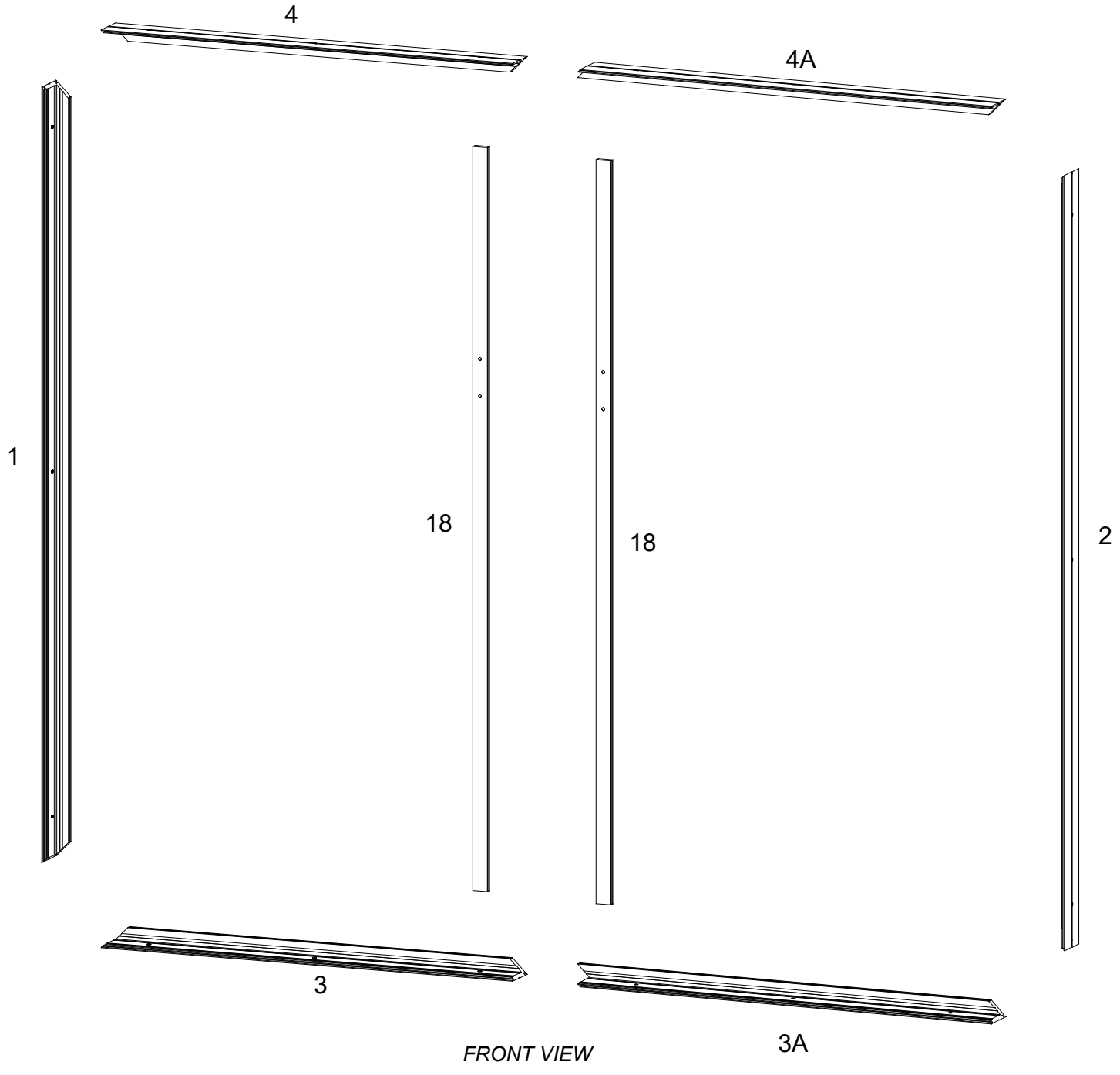
| Item | Qty. | Description |
|------|------|---|
| 1 | 1 | 90.5”h CEI110 Vertical Extrusion |
| 2 | 1 | 90.5”h CEI110 Vertical Extrusion |
| 3 | 1 | 51”w CEI110 Horizontal Extrusion |
| 3A | 1 | 52.823”w CEI110 Horizontal Extrusion w/ reverse miter |
| 4 | 1 | 51”w CEI110 Horizontal Extrusion |
| 4A | 1 | 52.823”w CEI110 Horizontal Extrusion w/ reverse miter |
| 18 | 2 | 86.853”h Z45 Vertical Extrusion |

- Steps:**
- Refer to the CEI110 Frame Assembly general information page.*
- 1) Assemble horizontals [3-3A], [4-4A] together using straight connectors.
 - 2) Connect verticals [1,2] between horizontals [3/3A,4/4A] using corner connectors.
 - 3) Attach verticals [18] between horizontals as shown.
 - 4) Connect power cords to Supernova lights as shown.



When assembled

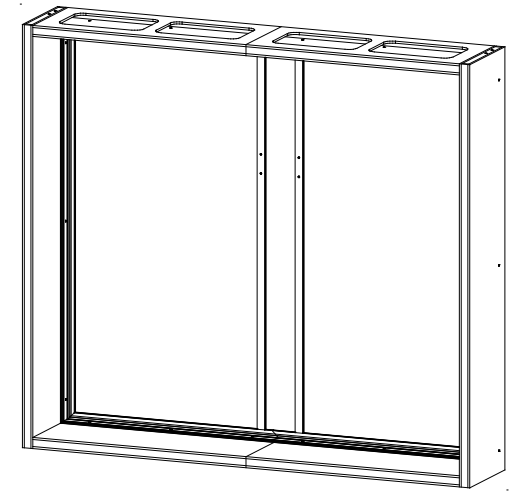
Assemble frame flat on ground.



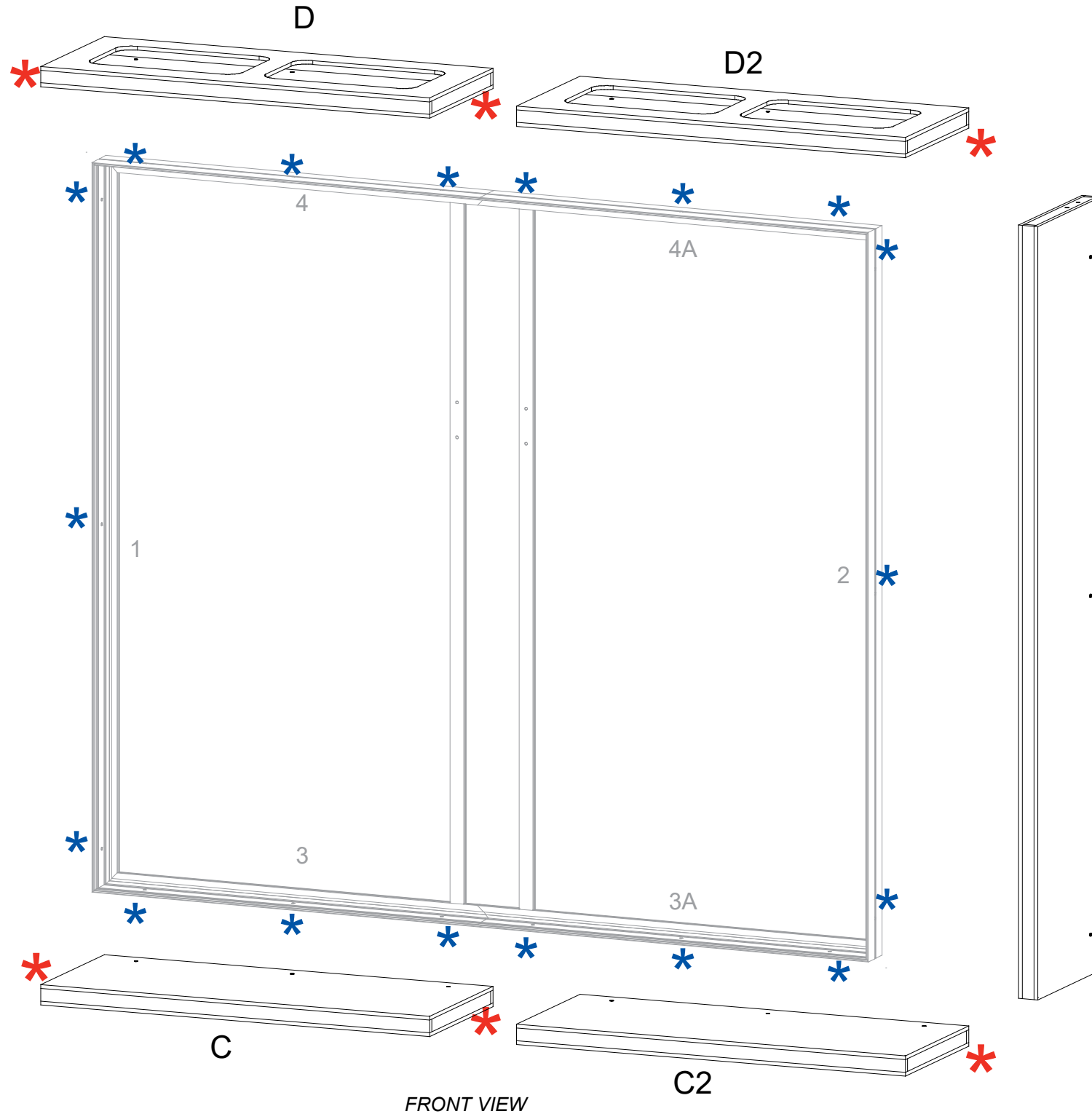
| Item | Qty. | Description |
|------|------|----------------------------------|
| A | 1 | 2.5"w x 95.5"h x 20"d Side Panel |
| B | 1 | 2.5"w x 95.5"h x 20"d Side Panel |
| C | 1 | 51"w x 2.5"h x 20"d Bottom Panel |
| C2 | 1 | 51"w x 2.5"h x 20"d Bottom Panel |
| D | 1 | 51"w x 2.5"h x 20"d Top Panel |
| D2 | 1 | 51"w x 2.5"h x 20"d Top Panel |

Steps:

- 1) Assemble panels [C-C2] using roto cam locks. See **Roto Cam Lock Connection** detail.
- 2) Connect bottom panels [C/C2] to side panels [A,B] using **Roto Cam Locks**.
- 3) Assemble top panels [D-D2] together & attach to side panels [A,B] using **Roto Cam Locks**.
- 4) Connect lightbox assembly [1/2/3/3A/4/4A] to panels [A/B/C/C2/D/D2] using **Bolt to T-Nut Connection**.



When assembled



FRONT VIEW

*** Roto Cam Lock Connection**

Step 1

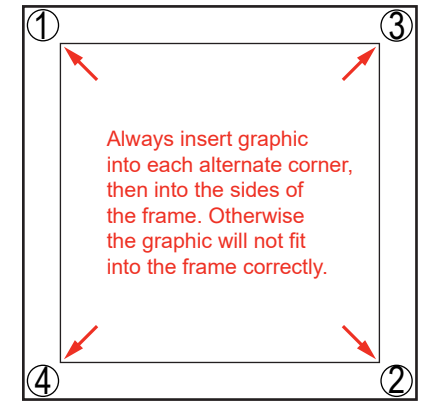
Step 2

Place hex tool in hole on side of panel. Rotate to activate lock & secure panels together.

*** Bolt to T-Nut Connection**

SEG Graphic Installation

STEP 1: Attach Corners

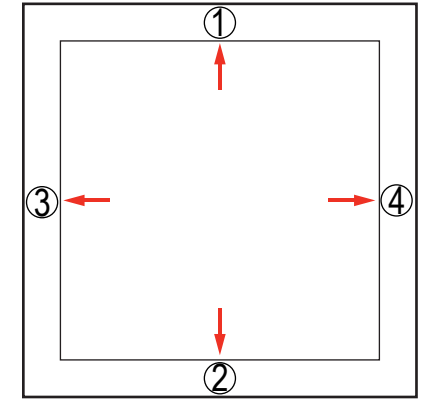


Insert narrow side of silicone welt into the channel at corner 1, with fabric to the outside.

Repeat for opposite corner 2, then corner 3, then corner 4.



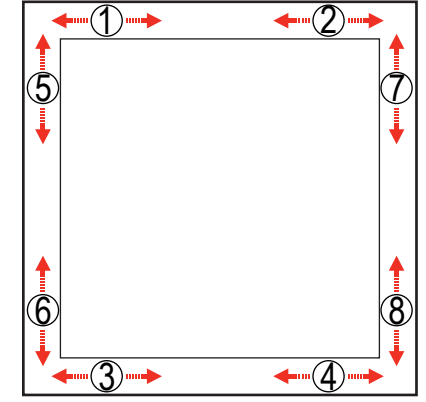
STEP 2: Attach Middle



Once corners are attached, press the middle of edge 1 into the channel. Then press middle of edge 2 into the channel on opposite side.

Repeat with edge 3 & 4.

STEP 3: Attach Sides



Once the middle of sides are attached, fully press the silicone welt into the channel, between center and corner at location 1. Repeat the process between center and corner at location 2.



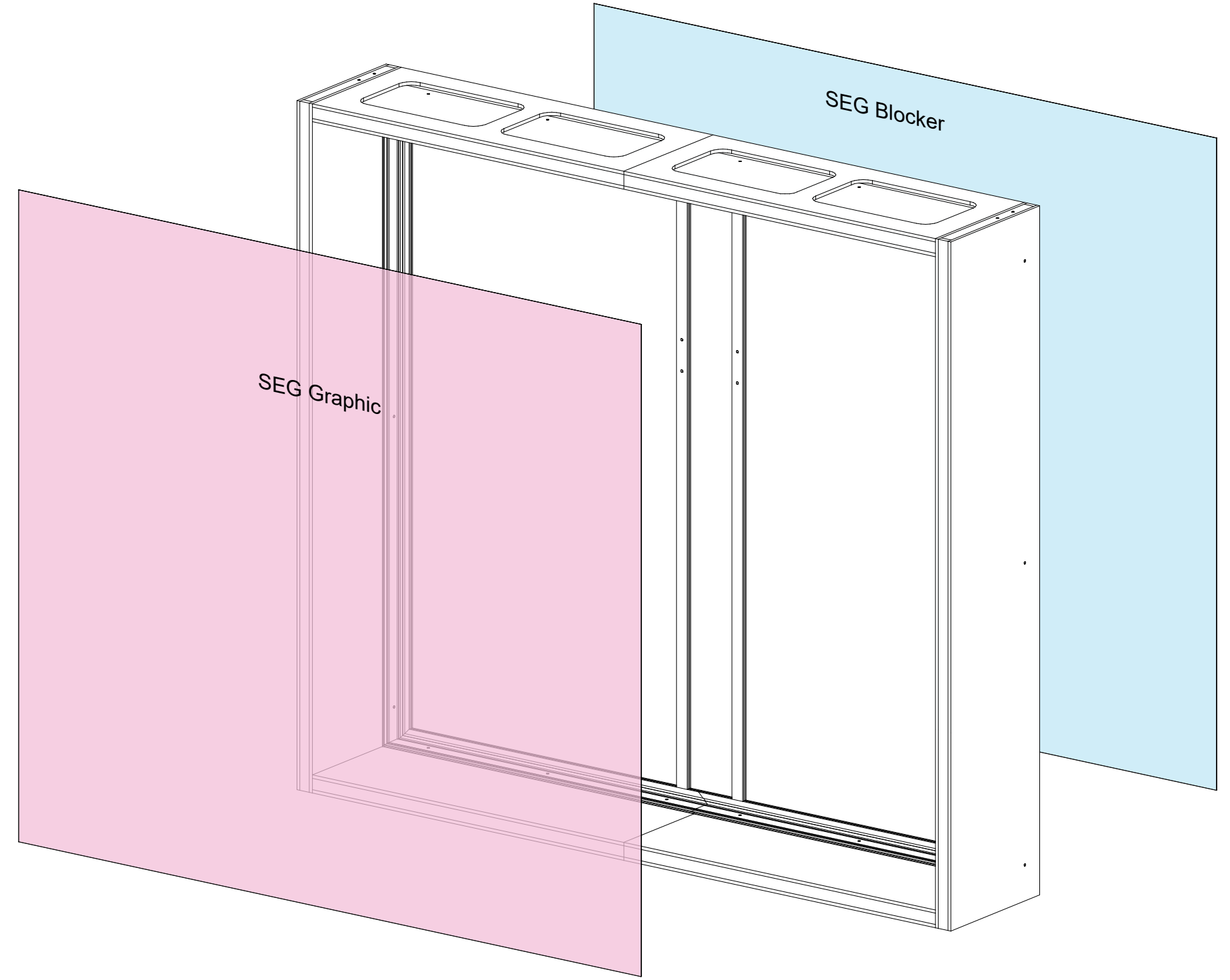
Do the same for welt on opposite side, at locations 3 & 4. Then repeat for locations 5 & 6 and 7 & 8.



To remove the graphic from the frame, locate the fabric pull tab. Gently pull on the tab to remove the graphic.

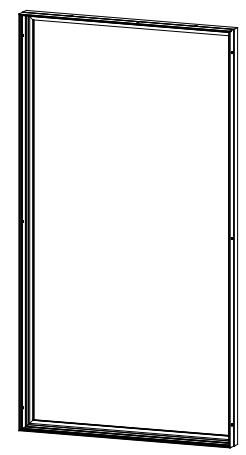
Steps:

- 1) Apply SEG graphic to front and SEG blocker to back of frame assembly.
Refer to the SEG Installation general information page.



| Item | Qty. | Description |
|------|------|--------------------------------------|
| 5 | 1 | 93.689”h CEI110 Vertical Extrusion |
| 6 | 1 | 93.689”h CEI110 Vertical Extrusion |
| 7 | 1 | 50.417”w CEI110 Horizontal Extrusion |
| 8 | 1 | 50.417”w CEI110 Horizontal Extrusion |

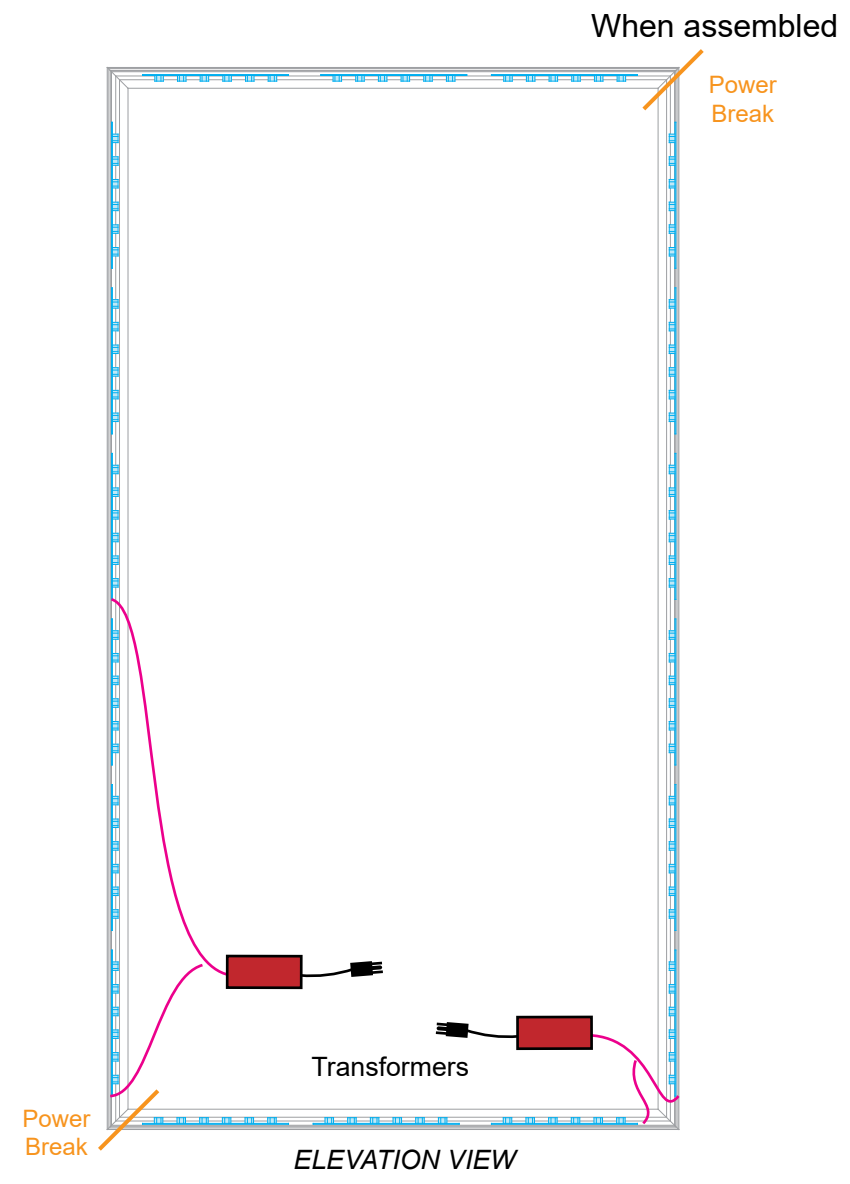
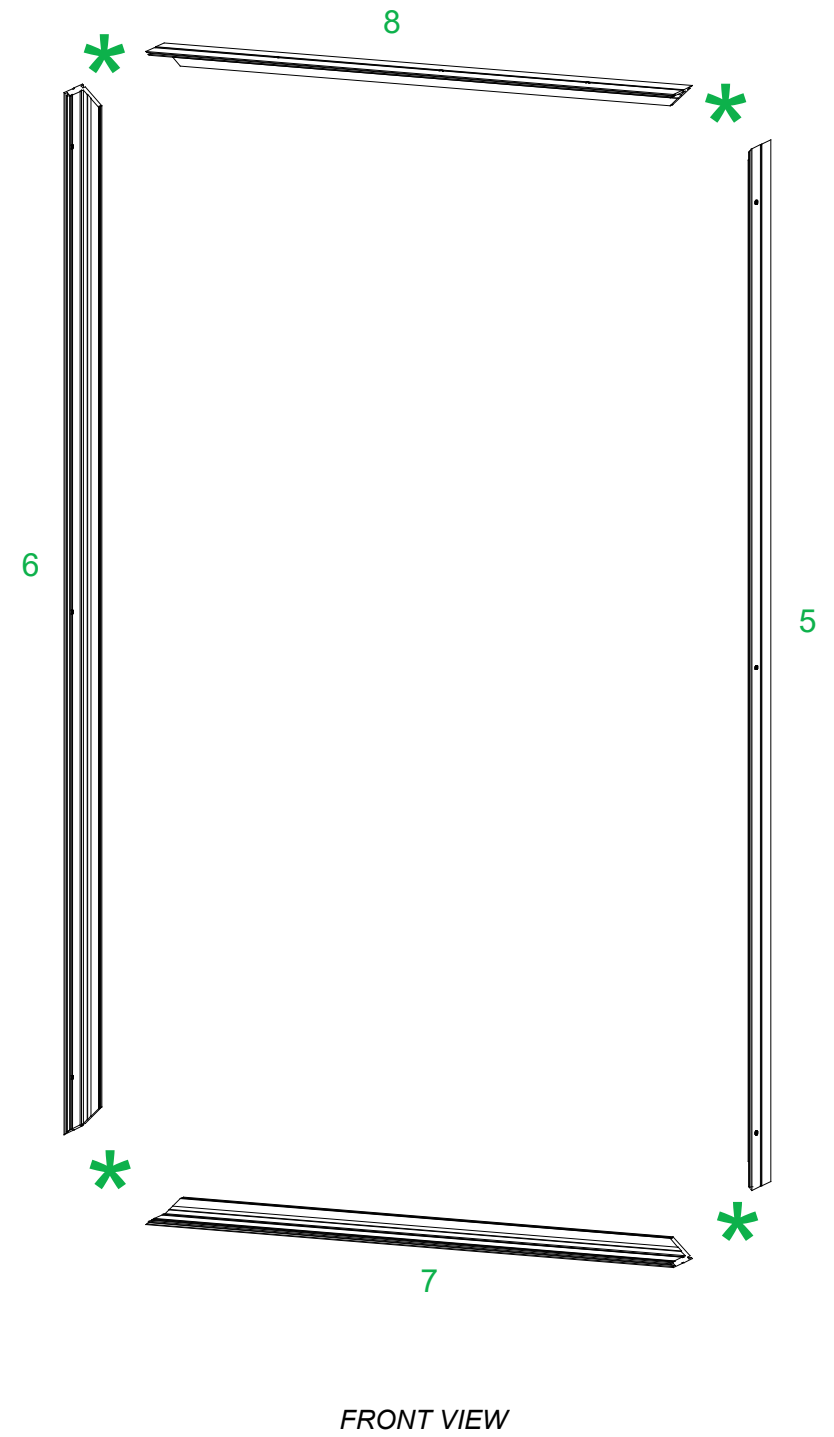
Steps:
 Refer to the *CEI110 Frame Assembly general information page*.
 1) Assemble verticals [5,6] between horizontal [7,8].
 2) Connect power cords to Supernova lights as shown.



Assemble frame flat on ground.

*** CEI-110 Corner Connection**

- Slide extrusion onto corner connectors.
- Tighten all knobs to secure connection.



Light to Light Attachment

Lights

Male

Light to Transformer Attachment

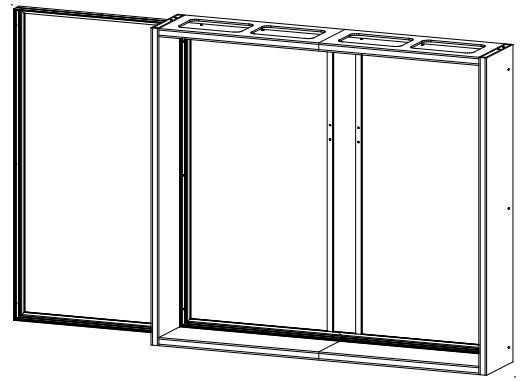
Female

Power

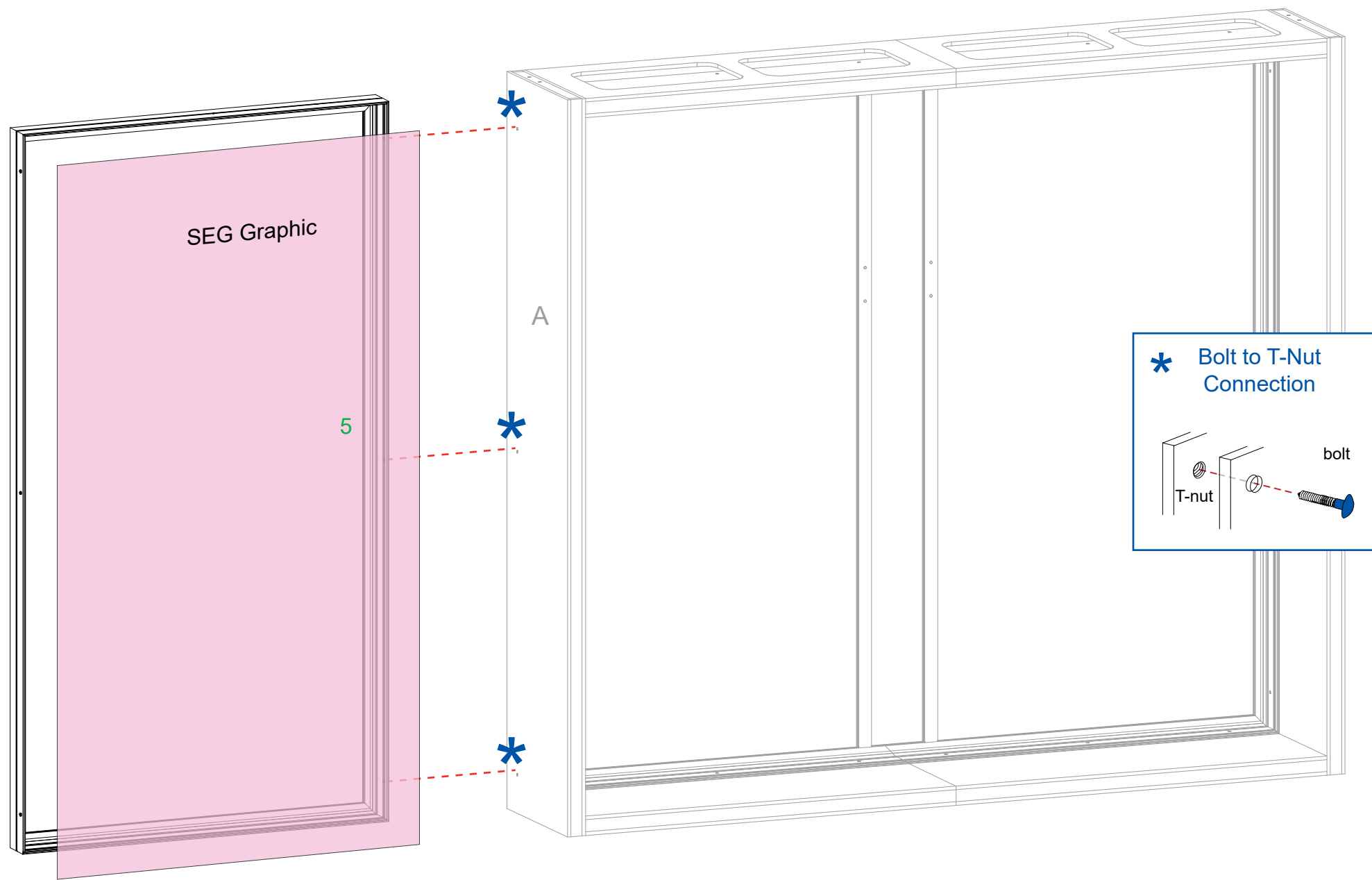
Transformer
144W / 6 Amp / 24V

Maximum of 7 lights per chain / 12 lights per Transformer

- Steps:
- 1) Connect vertical [5] of frame assembly to Panel [A], using Bolt to T-Nut Connection.
 - 2) Apply SEG graphic to front of assembled lightbox. Refer to the SEG Installation general information page.



When assembled



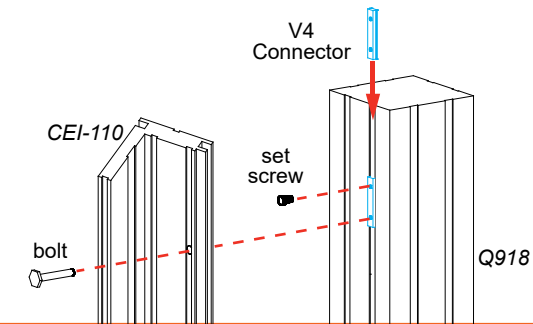
| Item | Qty. | Description |
|------|------|--|
| 9 | 1 | 91.878" h Q918 Vertical Extrusion |
| 10 | 1 | 91.878" h Q918 Vertical Extrusion |
| E2 | 1 | 44.835" w x 18" d x 109" h Storage Cabinet |

Steps:

- 1) Attach vertical [9] to lightbox vertical [6] using bolts & V4 connectors. See [Lightbox Attachment](#) detail.
- 2) Apply SEG blocker to back of lightbox. Refer to the [SEG Installation general information page](#).
- 3) Connect Storage Cabinet [E2] to verticals [9,10] using bolts & V4 connectors. See [Counter Attachment](#) detail.

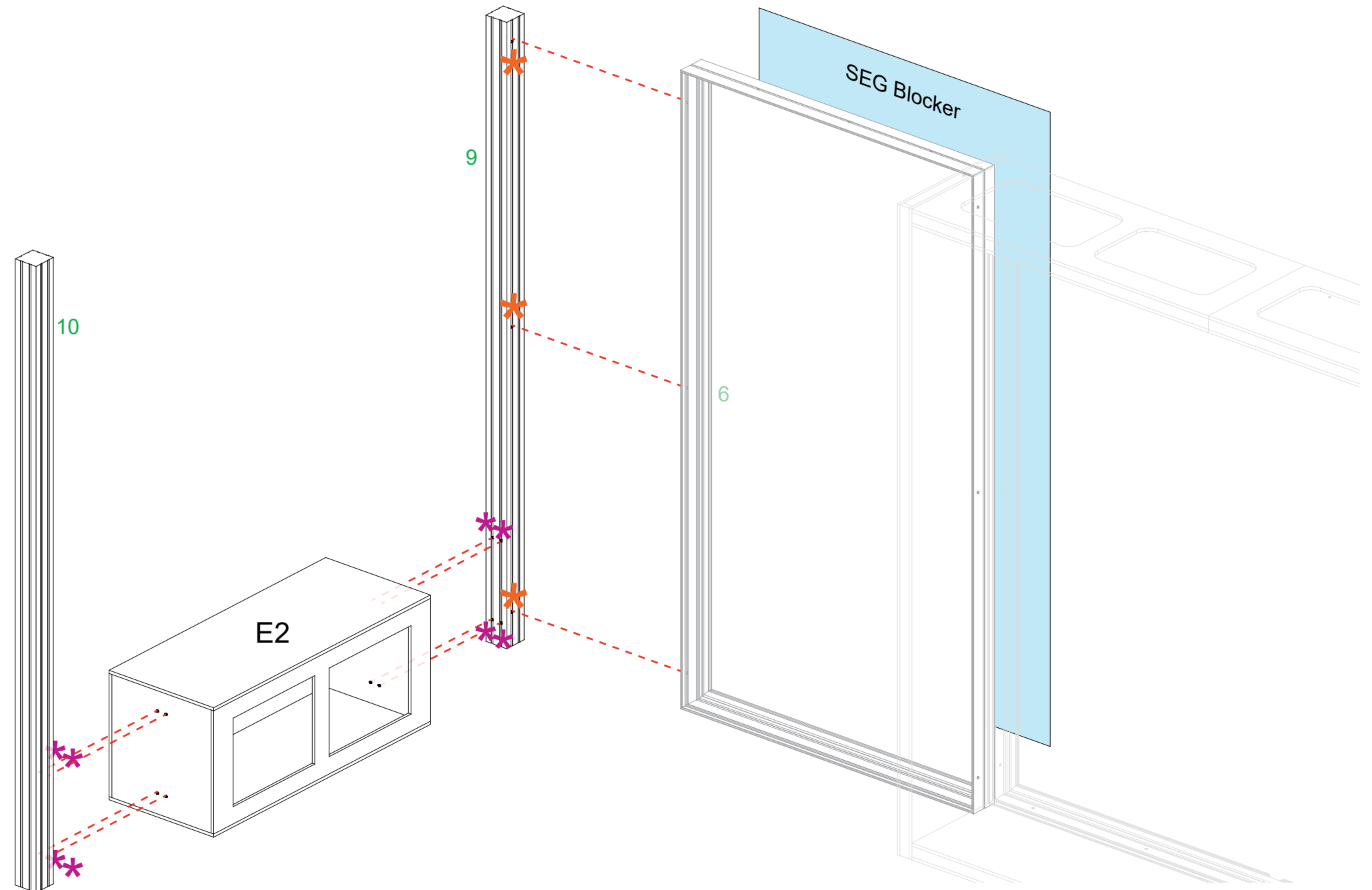
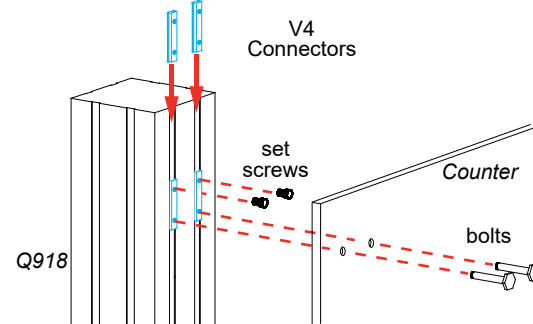
*** Lightbox Attachment**

Slide V4 connector into groove of Q918 extrusion as shown; secure with set screw.
Attach CEI-110 extrusion to Q918 by securing bolt to hole of V4 connector.



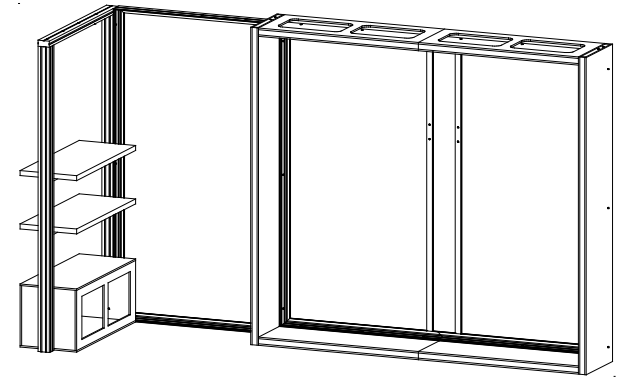
*** Counter Attachment**

Slide V4 connectors into groove of Q918 extrusion as shown; secure with set screws.
Attach Counter to Q918 by securing bolts to hole of V4 connectors.

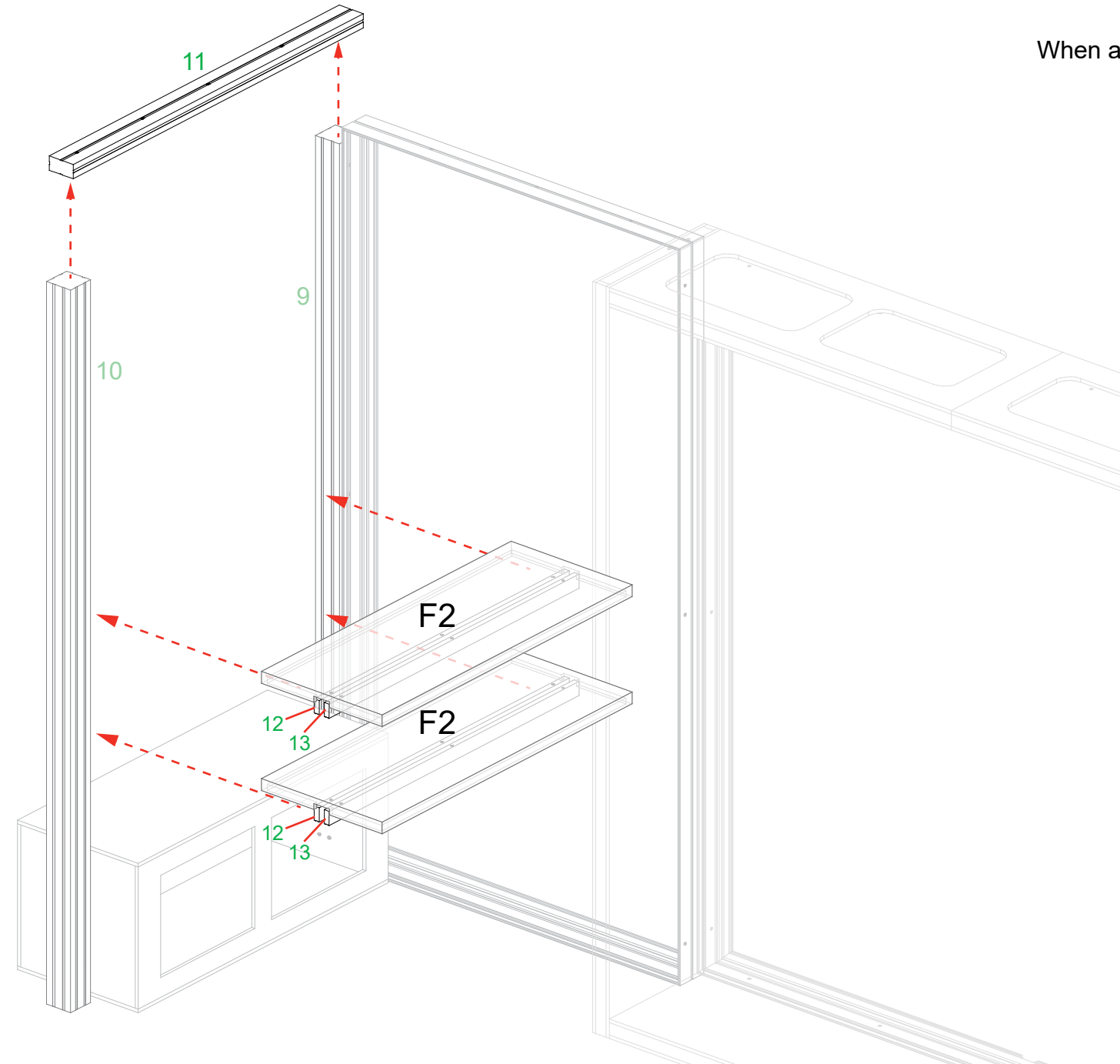
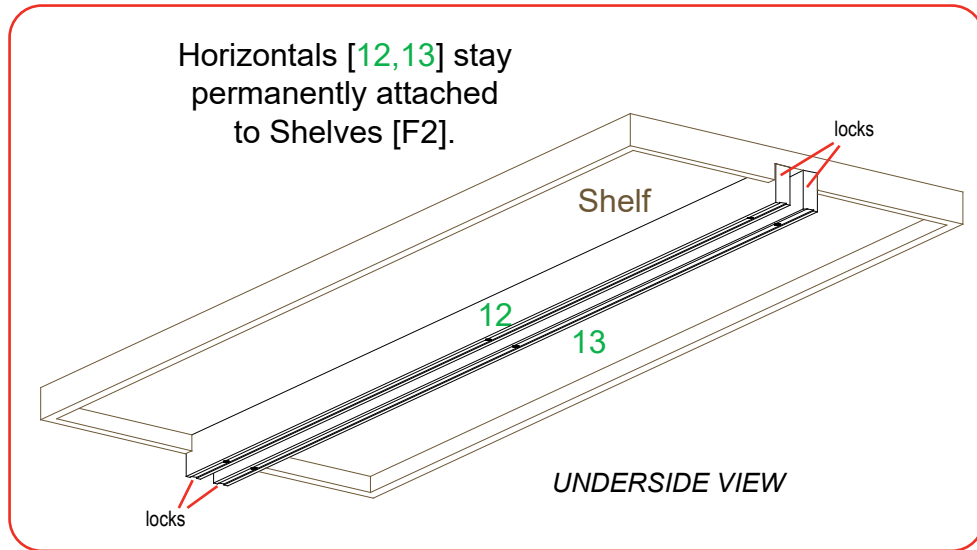


| Item | Qty. | Description |
|-------|------|------------------------------------|
| 11 | 1 | 52" w S91 Horizontal Extrusion |
| 12,13 | 2,2 | 44.835" w Z41 Horizontal Extrusion |
| F2 | 2 | 44.874" w x 18" d Shelf |

- Steps:
- 1) Attach horizontals [12,13] on underside of Shelves [F2] to verticals [9,10] as shown.
 - 2) Connect horizontal [11] to top of verticals [9,10].



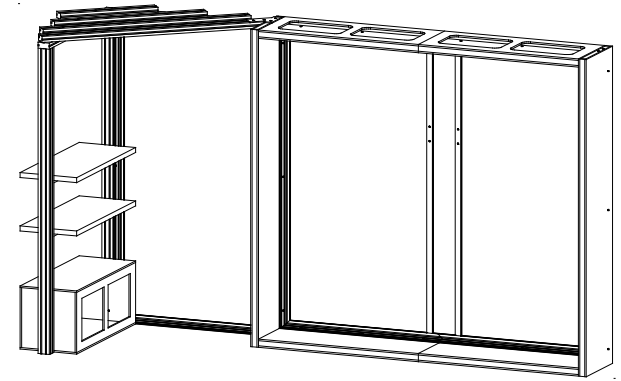
When assembled



| Item | Qty. | Description |
|------|------|-----------------------------------|
| 14 | 1 | 30"w S91 Horizontal Extrusion |
| 15 | 1 | 47"w S91 Horizontal Extrusion |
| 16 | 1 | 64"w S91 Horizontal Extrusion |
| 17 | 1 | 71.797"w S91 Horizontal Extrusion |
| -- | 1 | Custom Bracket |

Steps:

- 1) Attach extrusions [14,15,16] to top of horizontals [8] & [11] using bolts & V4 connectors. See **Canopy Attachment** detail.
- 2) Connect extrusion [17] to top of horizontal [11], and attach to top of wall panel [A] using custom bracket. See **Bracket Attachment** detail.



When assembled

*** Canopy Attachment**

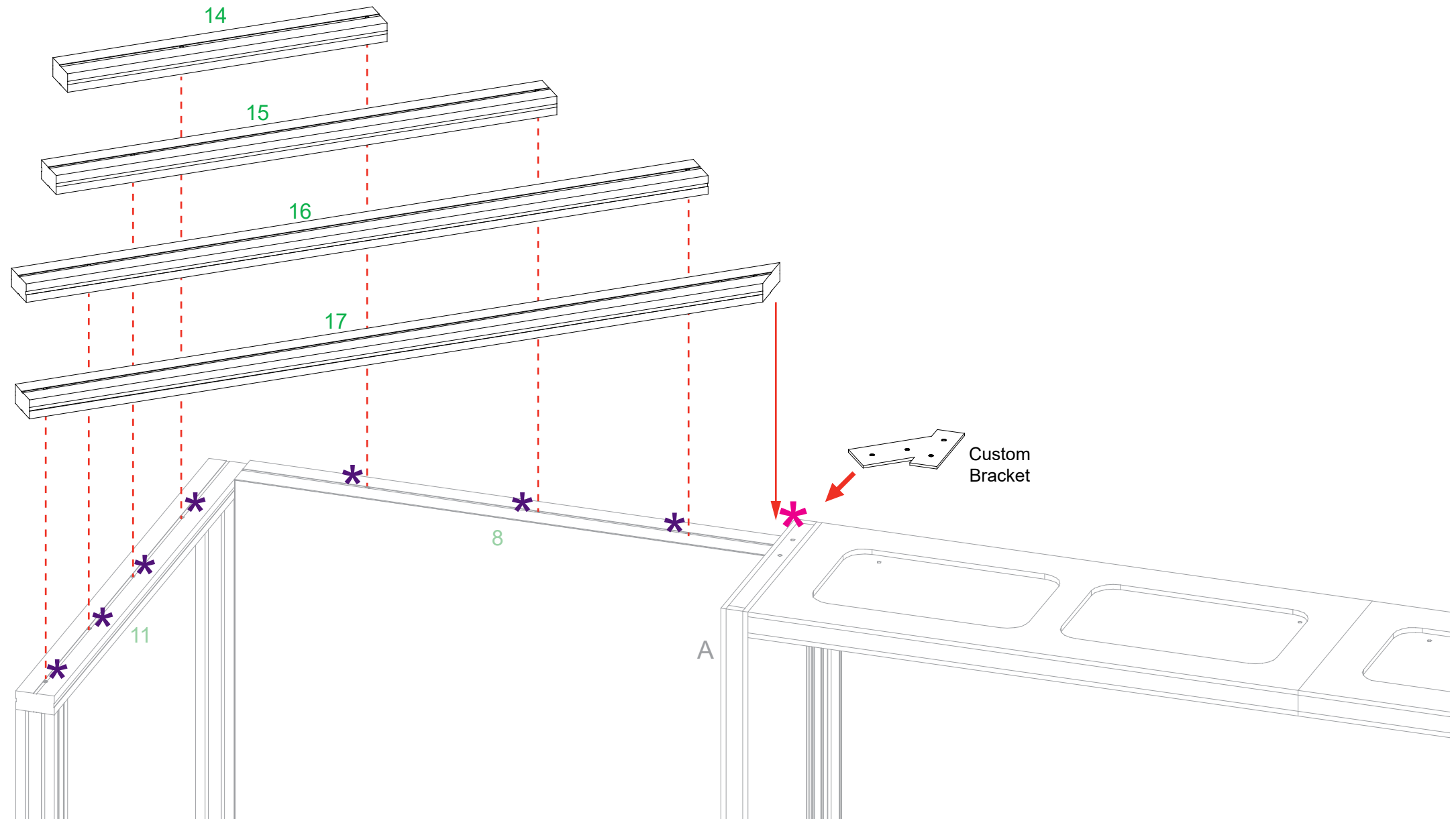
Slide V4 connector into groove extrusion & secure with set screw.

Attach canopy extrusion to V4 connector using bolt.

*** Bracket Attachment**

Attach Bracket to canopy extrusion using V4 connector.

Attach Bracket to top of Wall Panel using bolt to T-nut connection.

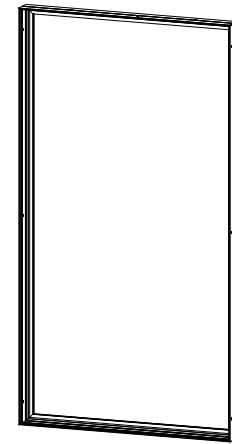


| Item | Qty. | Description |
|------|------|--------------------------------------|
| 5 | 1 | 93.689”h CEI110 Vertical Extrusion |
| 6 | 1 | 93.689”h CEI110 Vertical Extrusion |
| 7 | 1 | 50.417”w CEI110 Horizontal Extrusion |
| 8 | 1 | 50.417”w CEI110 Horizontal Extrusion |

Steps:

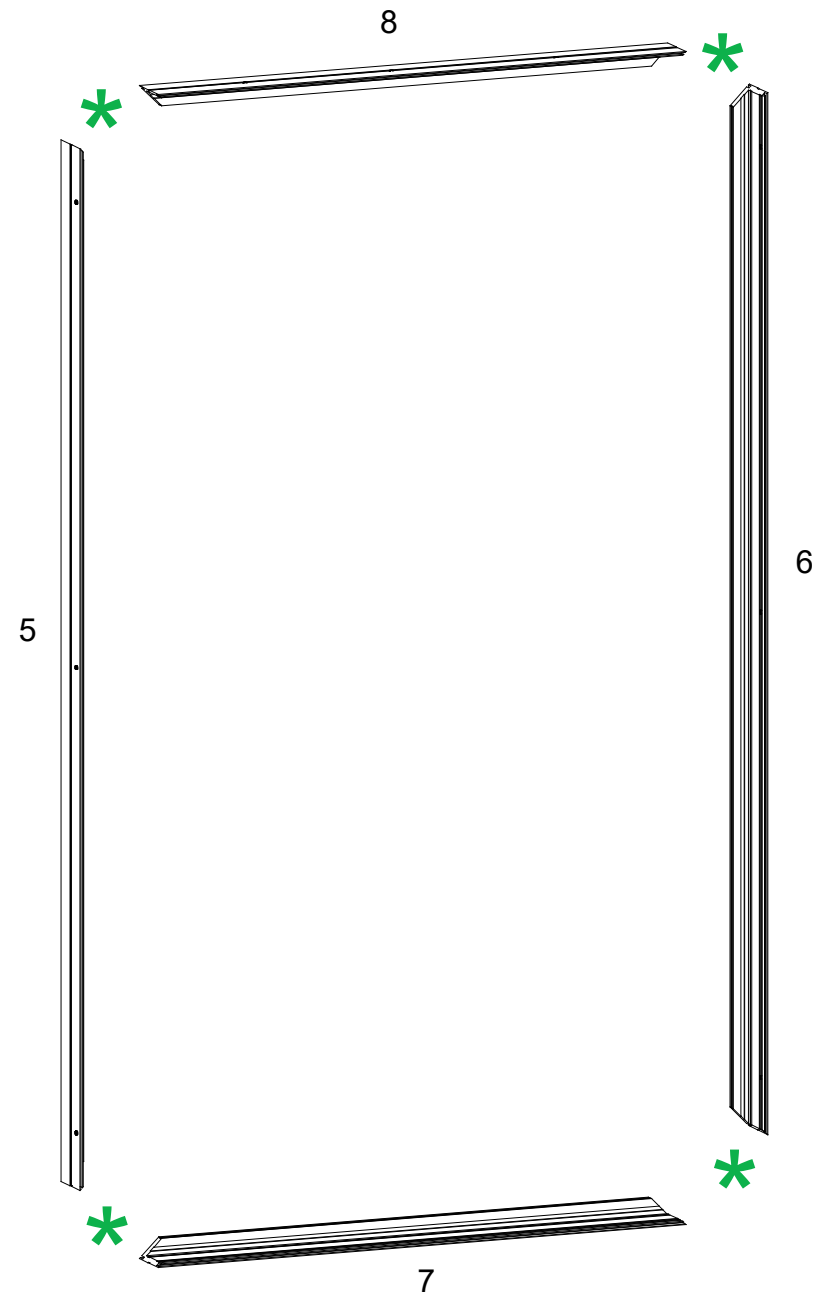
Refer to the *CEI110 Frame Assembly general information page*.

- 1) Assemble verticals [5,6] between horizontal [7,8].
- 2) Connect power cords to Supernova lights as shown.



When assembled

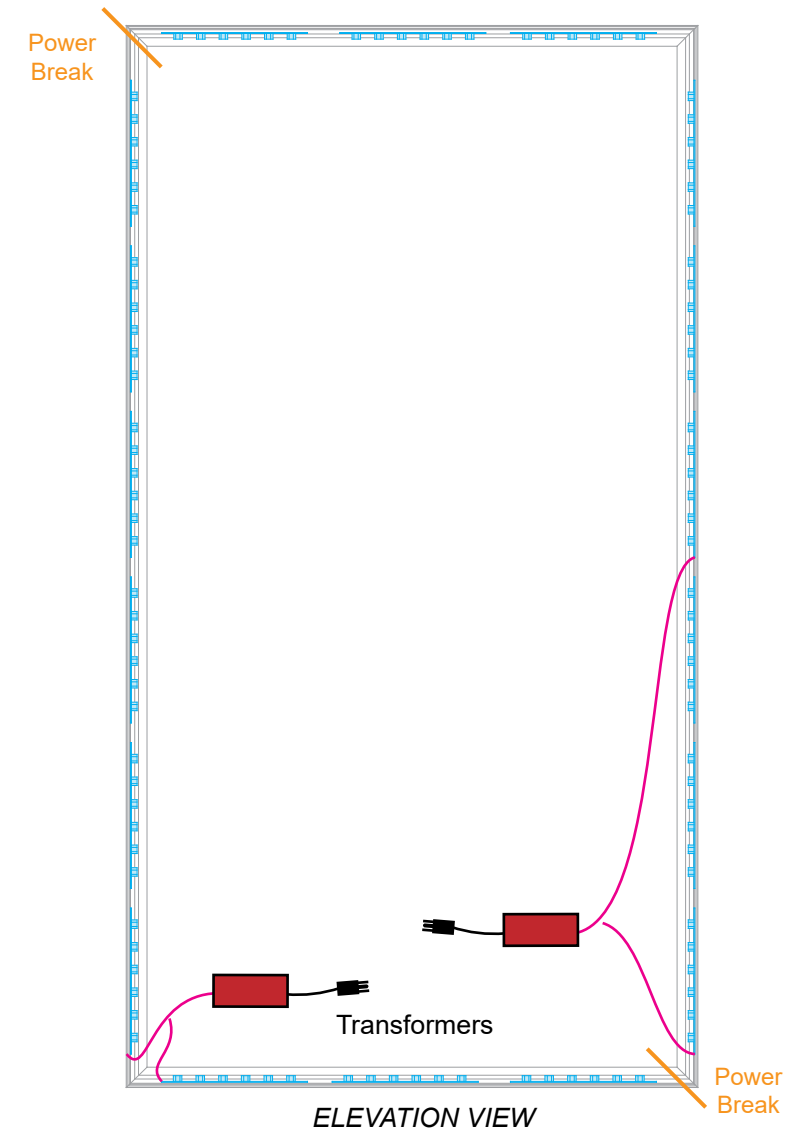
Assemble frame flat on ground.



FRONT VIEW

*** CEI-110 Corner Connection**

1. Slide extrusion onto corner connectors.
2. Tighten all knobs to secure connection.



Light to Light Attachment

Lights

Male

Light to Transformer Attachment

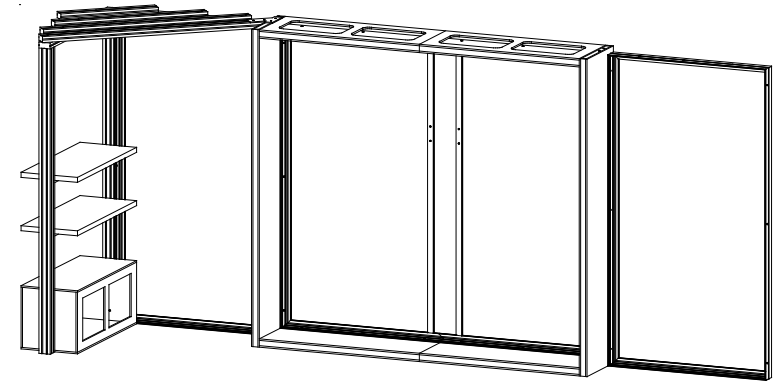
Female

Power

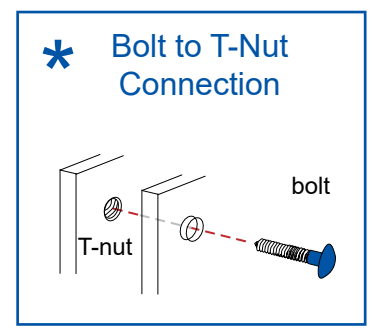
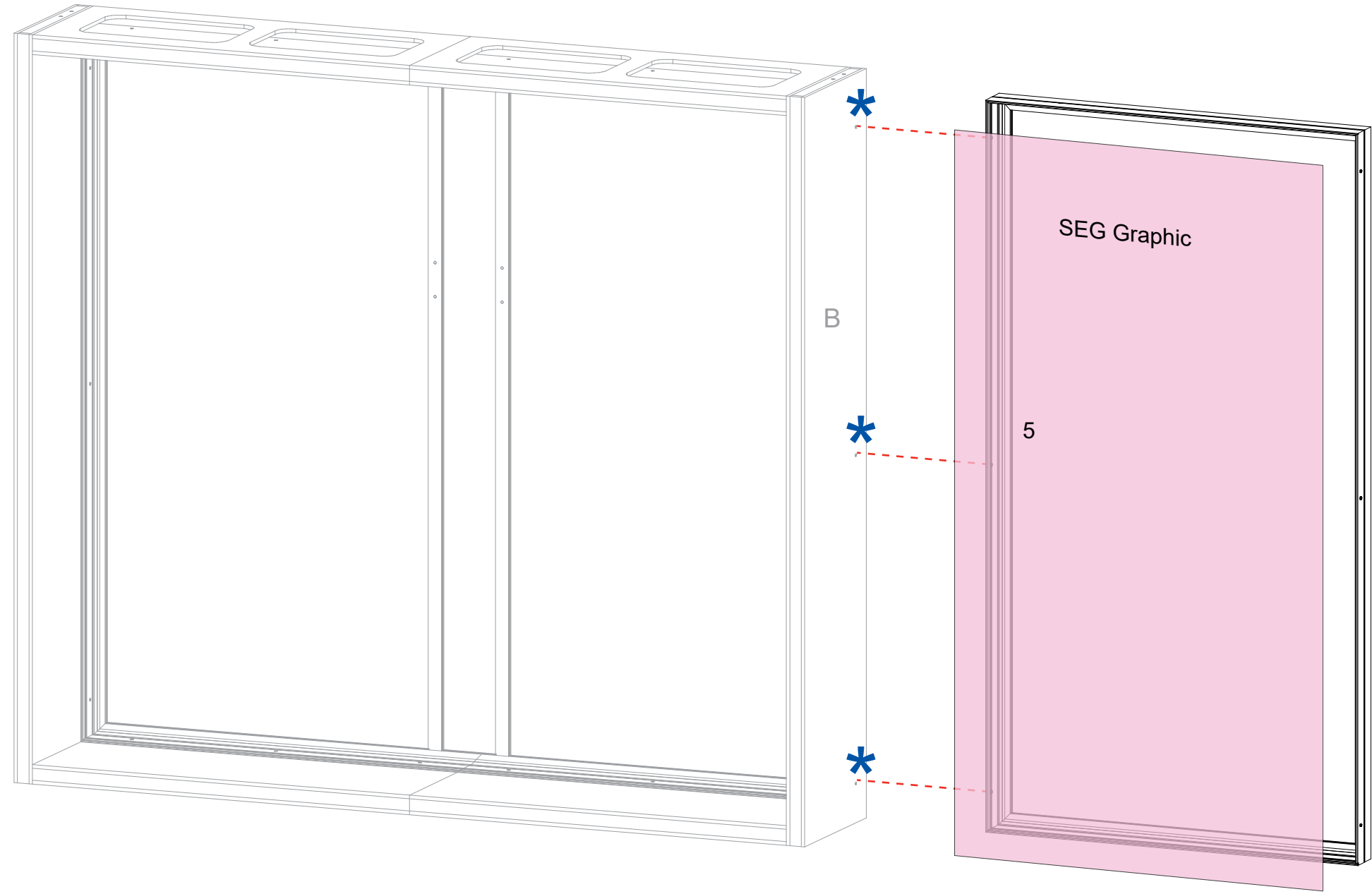
Transformer
144W / 6 Amp / 24V

Maximum of 7 lights per chain / 12 lights per Transformer

- Steps:
- 1) Connect vertical [5] of frame assembly to Panel [B], using **Bolt to T-Nut Connection**.
 - 2) Apply SEG graphic to front of assembled lightbox. Refer to the *SEG Installation general information page*.



When assembled



| Item | Qty. | Description |
|------|------|---|
| 9 | 1 | 91.878”h Q918 Vertical Extrusion |
| 10 | 1 | 91.878”h Q918 Vertical Extrusion |
| E | 1 | 44.835”w x 18”d x 109”h Storage Cabinet |

- Steps:
- 1) Attach vertical [9] to lightbox vertical [6] using bolts & V4 connectors. See [Lightbox Attachment](#) detail.
 - 2) Apply SEG blocker to back of lightbox. Refer to the [SEG Installation general information page](#).
 - 3) Connect Storage Cabinet [E] to verticals [9,10] using bolts & V4 connectors. See [Counter Attachment](#) detail.

*** Lightbox Attachment**

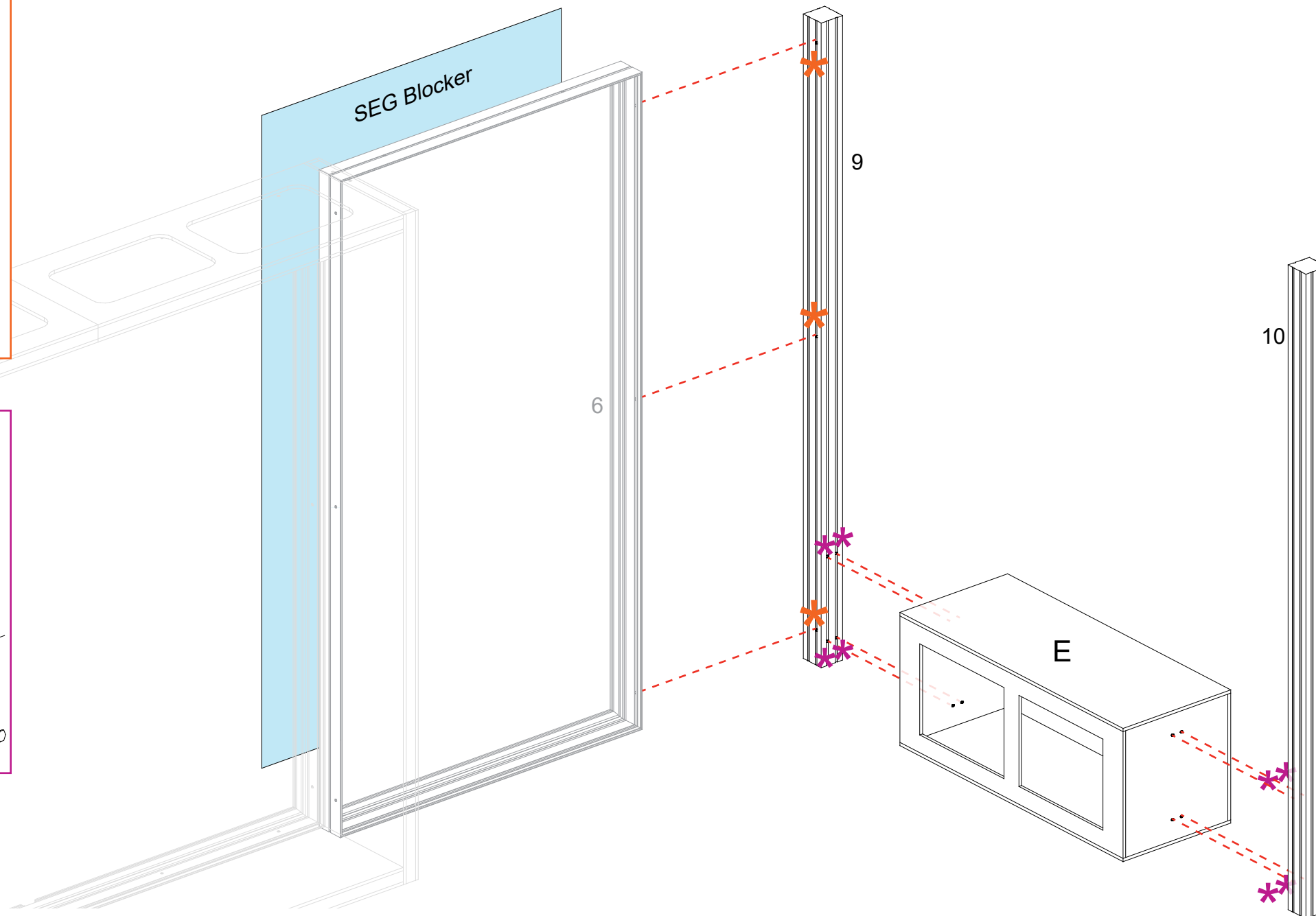
Slide V4 connector into groove of Q918 extrusion as shown; secure with set screw.

Attach CEI-110 extrusion to Q918 by securing bolt to hole of V4 connector.

*** Counter Attachment**

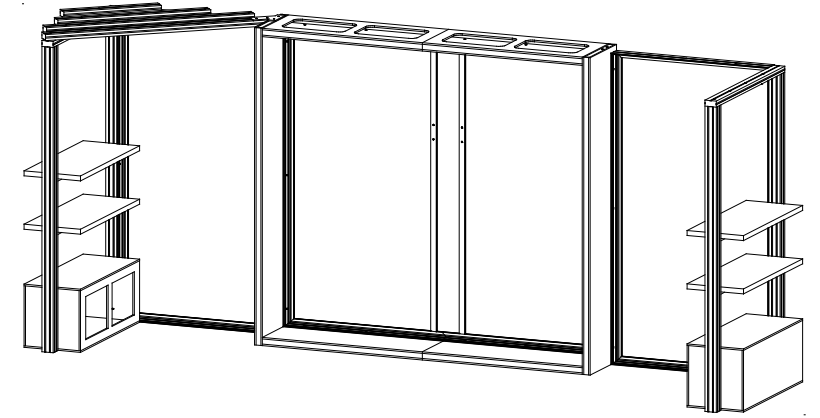
Slide V4 connectors into groove of Q918 extrusion as shown; secure with set screws.

Attach Counter to Q918 by securing bolts to hole of V4 connectors.

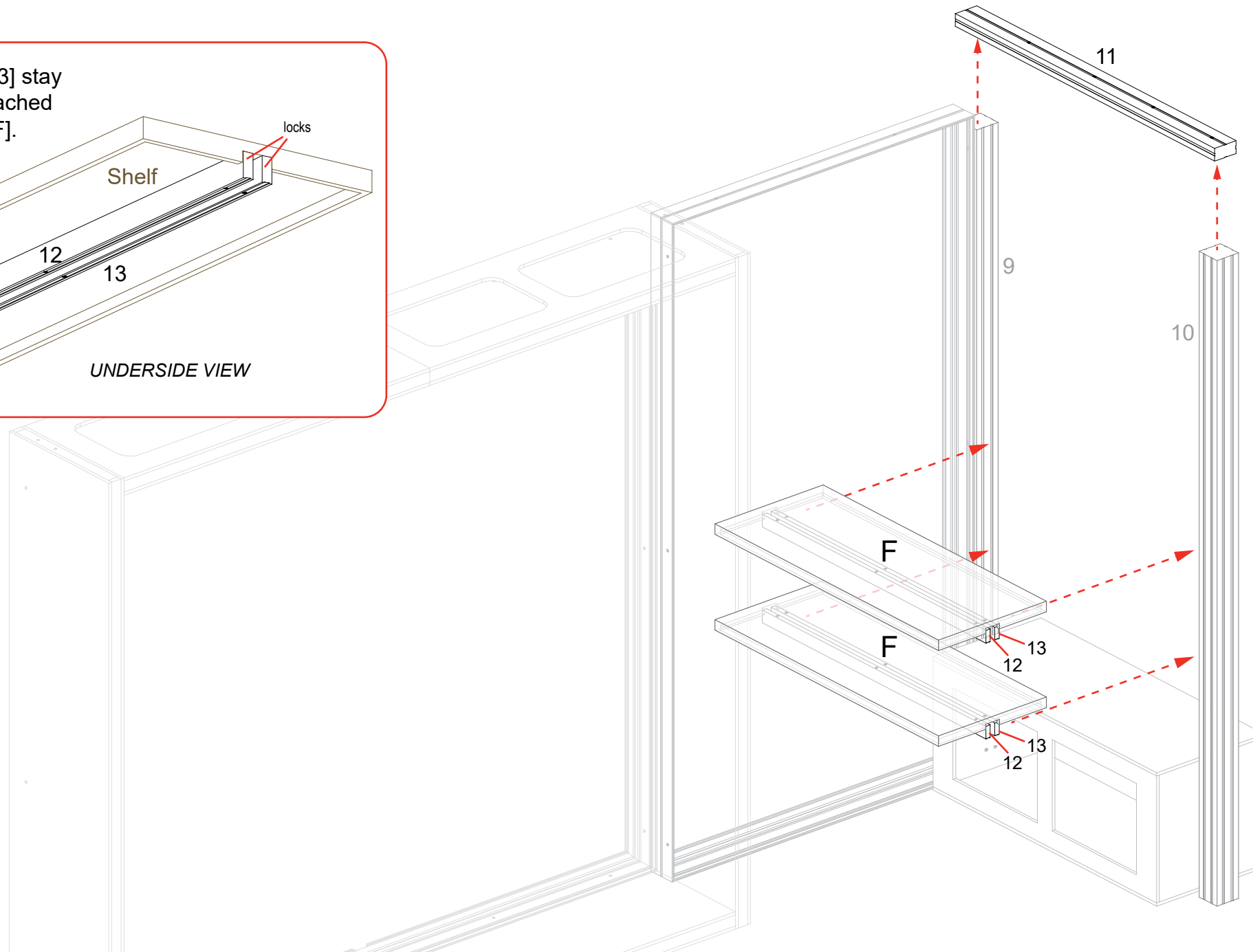
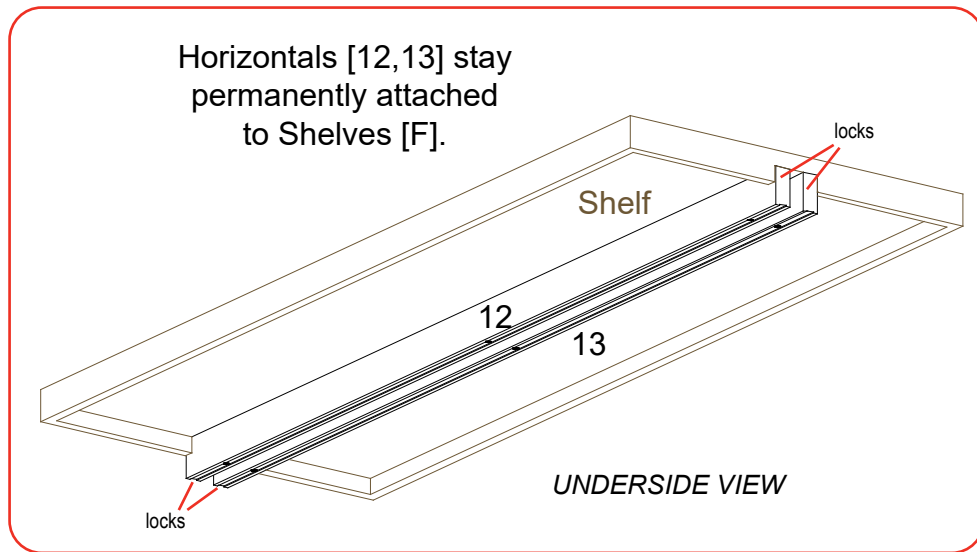


| Item | Qty. | Description |
|-------|------|-----------------------------------|
| 11 | 1 | 52"w S91 Horizontal Extrusion |
| 12,13 | 2,2 | 44.835"w Z41 Horizontal Extrusion |
| F | 2 | 44.874"w x 18"d Shelf |

- Steps:
- 1) Attach horizontals [12,13] on underside of Shelves [F] to verticals [9,10] as shown.
 - 2) Connect horizontal [11] to top of verticals [9,10].

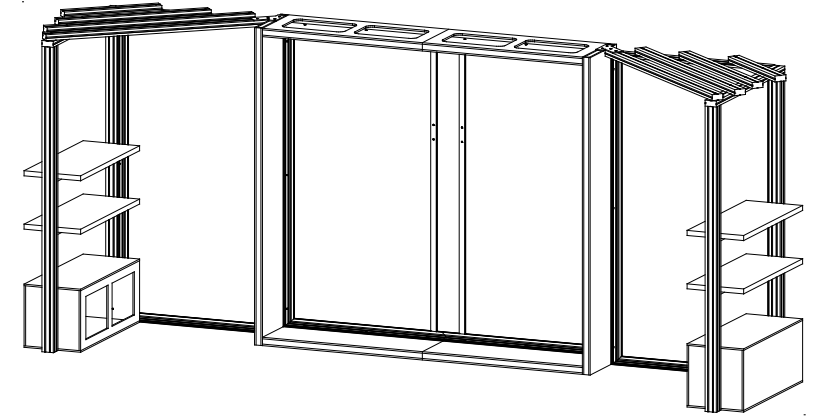


When assembled



| Item | Qty. | Description |
|------|------|-----------------------------------|
| 14 | 1 | 30"w S91 Horizontal Extrusion |
| 15 | 1 | 47"w S91 Horizontal Extrusion |
| 16 | 1 | 64"w S91 Horizontal Extrusion |
| 17 | 1 | 71.797"w S91 Horizontal Extrusion |
| -- | 1 | Custom Bracket |

- Steps:
- 1) Attach extrusions [14,15,16] to top of horizontals [8] & [11] using bolts & V4 connectors. See [Canopy Attachment](#) detail.
 - 2) Connect extrusion [17] to top of horizontal [11], and attach to top of wall panel [B] using custom bracket. See [Bracket Attachment](#) detail.



Completed Assembly

*** Canopy Attachment**

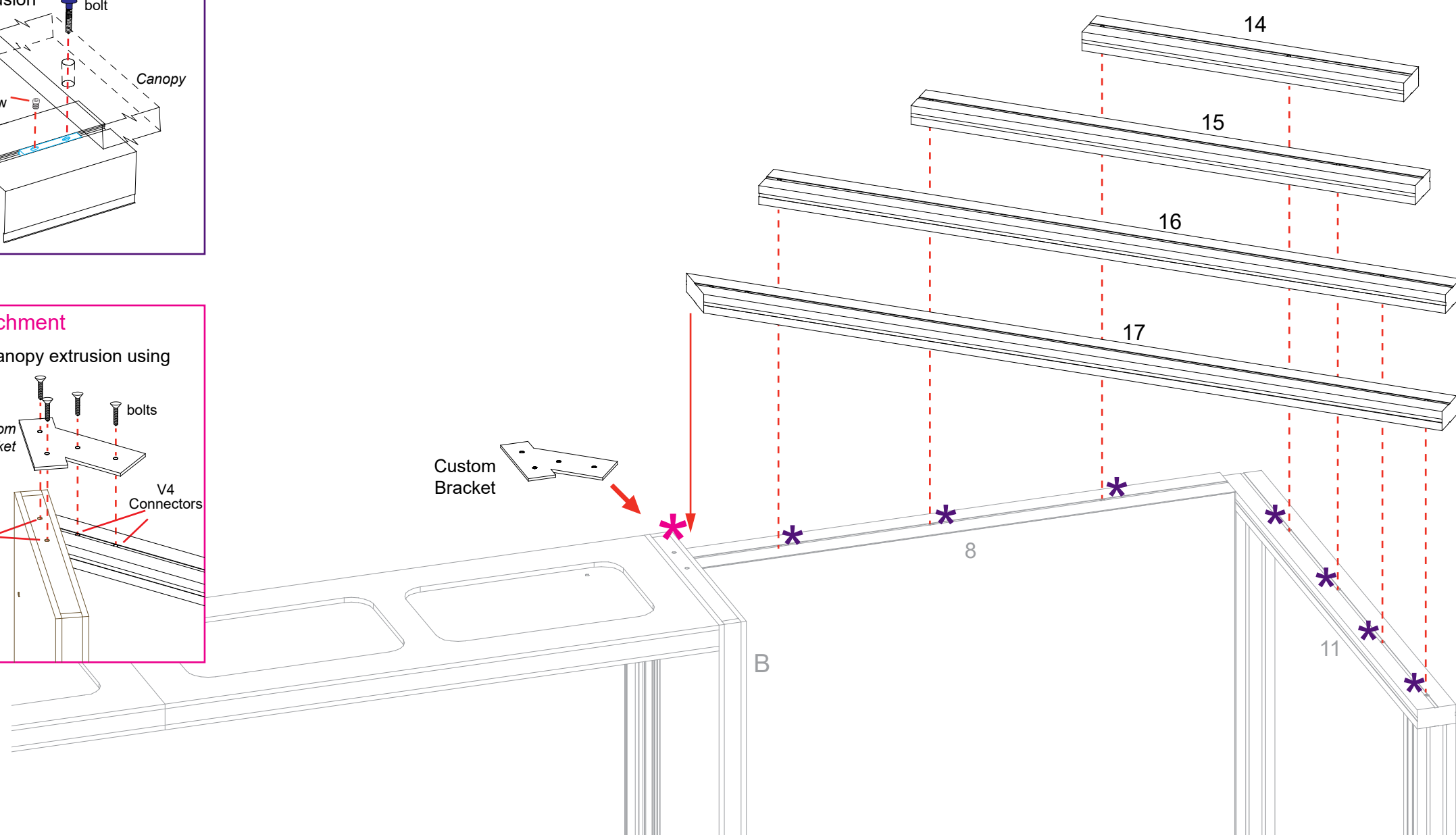
Slide V4 connector into groove extrusion & secure with set screw.

Attach canopy extrusion to V4 connector using bolt.

*** Bracket Attachment**

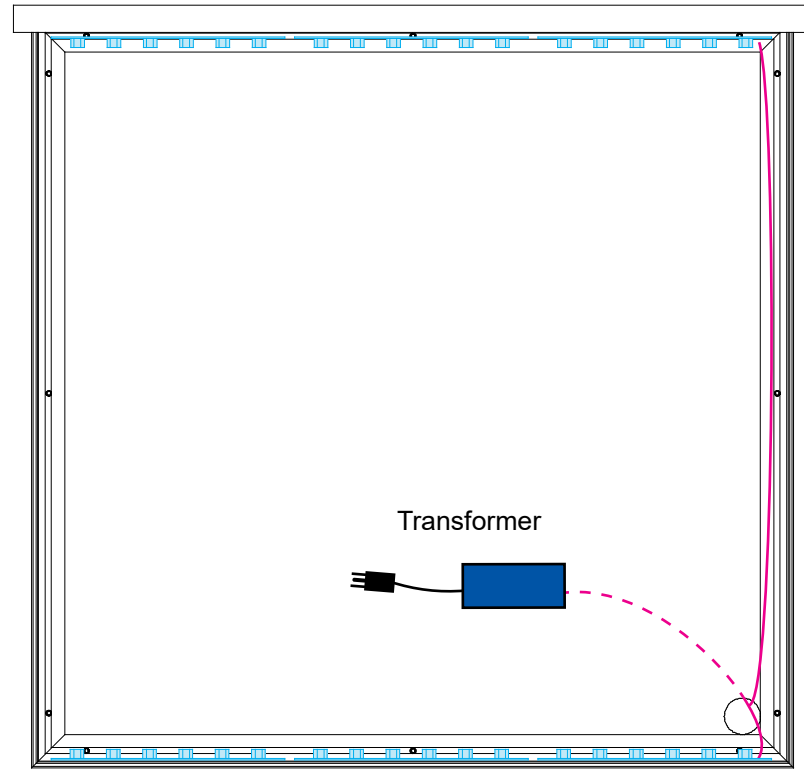
Attach Bracket to canopy extrusion using V4 connector.

Attach Bracket to top of Wall Panel using bolt to T-nut connection.

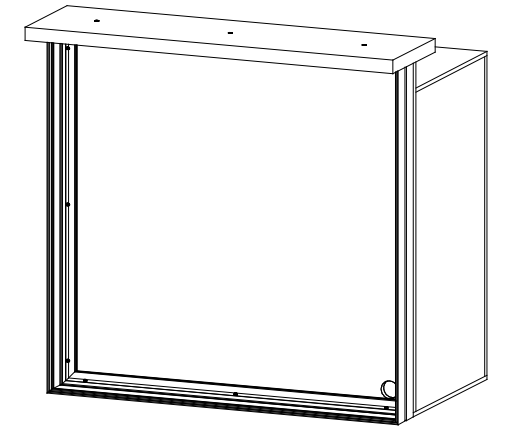
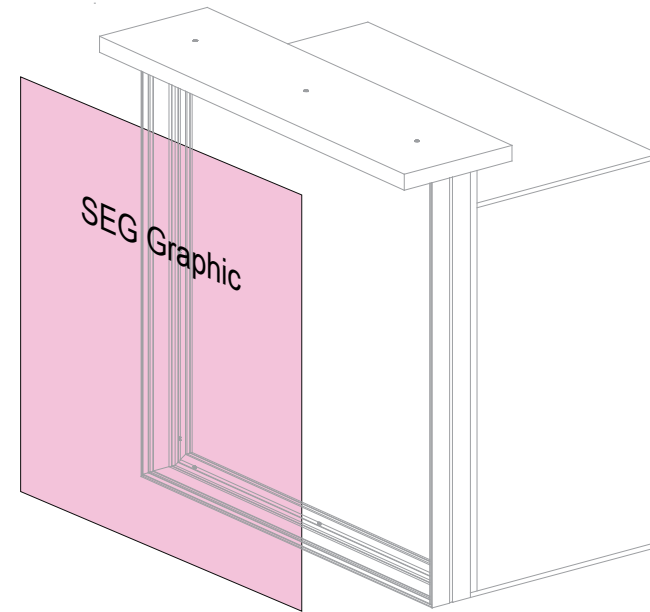


Steps:

- 1) Connect power cords to Supernova lights as shown.
- 2) Apply SEG graphic to front of lightbox. *Refer to the SEG Installation general information page.*

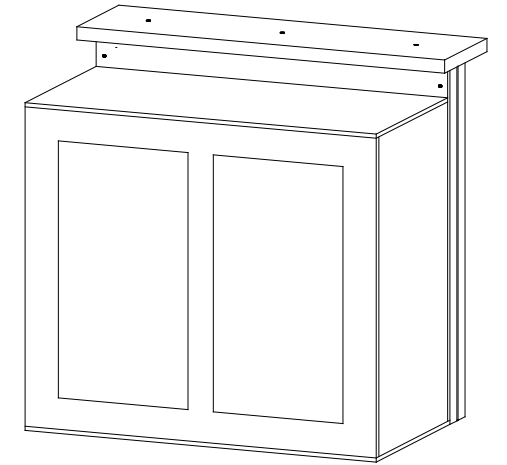


Note: If counter Top is removed for shipping, re-attach using bolts.



FRONT VIEW

When assembled



BACK VIEW

